

IFP MSV05 SEQUENCE VALVE MODULE

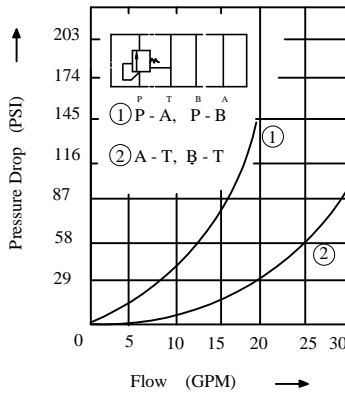


MSV-05-P- *

PERFORMANCE CURVES Viscosity (100-150 SUS)

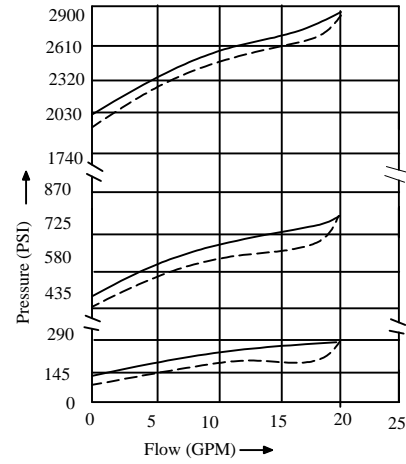
MSV-05-P- 1

Pressure Drop characteristic



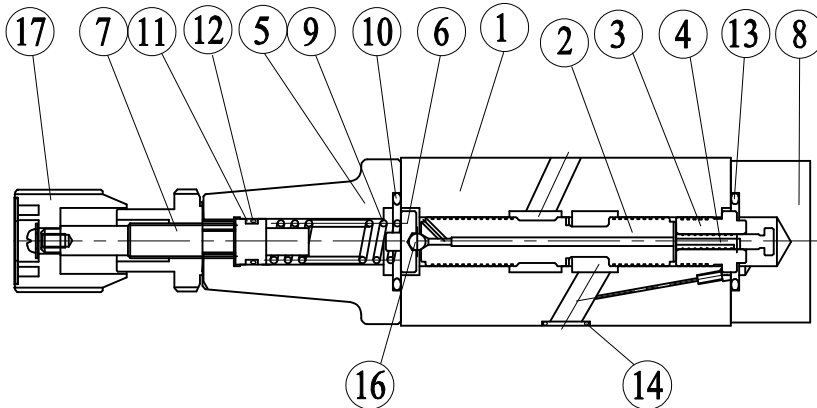
Pressure - Flow characteristic

————— PRESSURE INCREASE
----- PRESSURE DECREASE



CROSS SECTION DIAGRAM

MSV-05-P-*



NO.	DESCRIPTION
1	BODY
2	SPOOL
3	SLEEVE
4	PISTON
5	COVER
6	GUIDE
7	SCREW
8	COVER
9	SPRING
10	SPRING
11	BACK-UP RING
12	O-RING
13	O-RING
14	O-RING
16	BALL
17	AJUSTMENT ELEMENT

NO.	DESCRIPTION	PART NO.	Q'TY
12	O-RING	P8, 70°	1
13	O-RING	P26, 90°	2
14	O-RING	AS-568-014	5