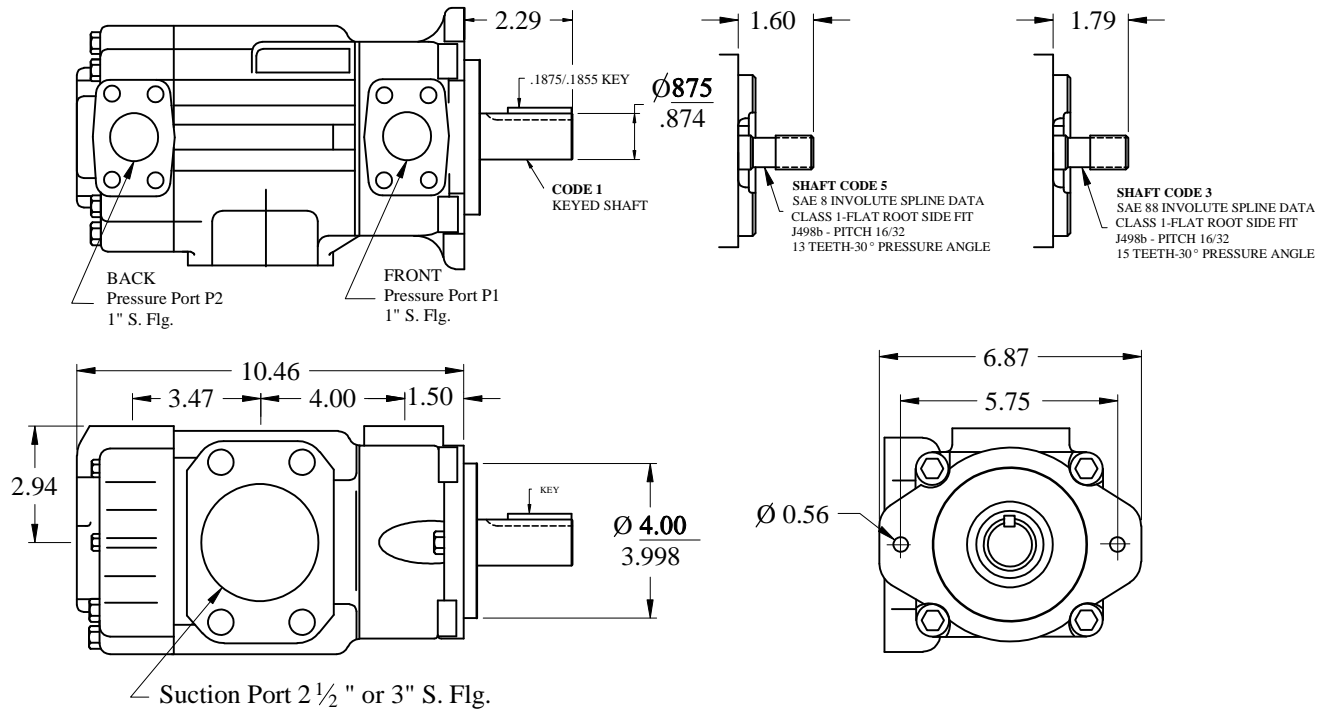


IFP T6CC DOUBLE VANE PUMP INSTALLATION/DIMENSIONS



Dimension & Operating Characteristics



Performance Data - Typical flow at 120°F, 10 W Oil (115 SUS), 0 PSI Inlet

Series	Volumetric Displ. Vp	Speed n[R.P.M.]	Flow(GPM)			Inputpower(HP)		
			0 PSI	2000 PSI	3500 PSI	100 PSI	2000 PSI	3500 PSI
T6CC-003	.66 in ³ /rev	1200 1800	3.42 5.14	1.83 3.55	▲ 2.44	1.61 2.09	5.80 8.53	▲ 13.51
T6CC-005	1.05 in ³ /rev	1200 1800	5.45 8.18	3.86 6.59	2.76 5.48	1.76 2.26	8.21 12.07	13.51 19.63
T6CC-006	1.30 in ³ /rev	1200 1800	6.76 10.12	5.17 8.56	4.06 7.42	1.76 2.41	9.66 14.32	16.09 23.65
T6CC-008	1.61 in ³ /rev	1200 1800	8.36 12.55	6.78 10.97	5.68 9.86	1.93 2.57	11.58 17.22	19.48 28.49
T6CC-010	2.08 in ³ /rev	1200 1800	10.81 16.20	9.23 14.65	8.11 13.50	2.09 2.74	14.32 21.56	24.30 35.88
T6CC-012	2.26 in ³ /rev	1200 1800	11.76 17.64	10.47 16.35	9.57 2.74	1.92 2.84	15.53 23.05	26.36 38.92
T6CC-014	2.81 in ³ /rev	1200 1800	14.58 21.88	12.99 20.29	11.89 19.18	2.26 3.06	18.83 28.32	32.03 47.47
T6CC-017	3.56 in ³ /rev	1200 1800	18.48 27.71	16.99 26.16	15.79 25.01	2.57 3.38	23.23 35.24	39.91 59.38
T6CC-022	4.29 in ³ /rev	1200 1800	22.28 37.42	20.70 31.86	19.60 30.72	2.74 3.70	27.84 42.00	47.63 70.97
T6CC-025*	4.84 in ³ /rev	1200 1800	25.14 37.69	23.56 36.14	22.44 35.00	2.89 4.02	31.06 46.99	53.42 79.66
T6CC-028*	5.42 in ³ /rev	1200 1800	28.15 42.23	26.86 40.94	26.24 40.32**	2.87 4.27	34.66 51.74	51.37 76.73**
T6CC-031*	6.10 in ³ /rev	1200 1800	31.70 47.56	30.41 46.27	29.79 45.65**	3.08 4.58	38.80 57.95	57.58 86.06**

*025-028-031 = 2500 R.P.M. max.
**028-031 = 3000 PSI max.Int.

▲ Not used because internal leakage is greater than 50 % theoretical flow