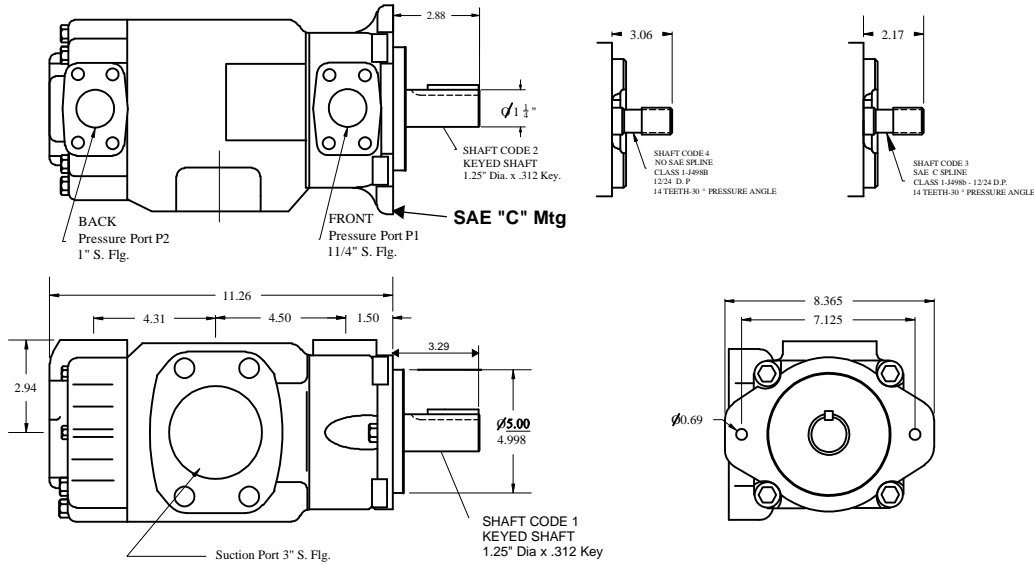


IFP T6DC DOUBLE VANE PUMP INSTALLATION/DIMENSIONS



Dimension & Operating Characteristics



Performance Data - Typical flow at 120°F, 10 W Oil (115 SUS), 0 PSI Inlet

PRESSURE PORT	Series	Volumetric Displ. Vp	Speed n[R.P.M.]	Flow(GPM)			Inputpower(HP)		
				0 PSI	2000 PSI	3500 PSI	100 PSI	2000 PSI	3500 PSI
P1	014	2.90 in ³ /rev	1800	22.64	19.69	17.72	4.02	28.97	49.24
	020	4.00 in ³ /rev	1800	31.38	28.44	26.47	4.50	39.26	67.10
	024	4.80 in ³ /rev	1800	37.82	34.87	32.88	4.82	47.63	80.14
	028	5.50 in ³ /rev	1800	42.64	39.70	37.73	5.15	52.62	89.95
	031	6.00 in ³ /rev	1800	46.73	43.79	41.82	5.30	57.44	98.16
	035	6.80 in ³ /rev	1800	52.79	49.84	47.87	5.63	64.52	110.56
	038	7.30 in ³ /rev	1800	57.19	54.24	52.28	5.95	69.68	119.40
	042***	8.30 in ³ /rev	1800	64.68	61.73	59.76	6.43	78.37	134.69
	045***	8.90 in ³ /rev	1800	69.28	66.32	64.36	6.60	83.84	144.02
	050***	9.64 in ³ /rev	1800	75.14	72.19	71.02	7.08	91.72	136.78**
P2	003	.66 in ³ /rev	1800	5.14	3.55	2.44	2.09	8.53	13.51
	005	1.05 in ³ /rev	1800	8.18	6.59	5.48	2.26	12.07	19.63
	006	1.30 in ³ /rev	1800	10.12	8.56	7.42	2.41	14.32	23.65
	008	1.61 in ³ /rev	1800	12.55	10.97	9.86	2.57	17.22	28.49
	010	2.08 in ³ /rev	1800	16.20	14.65	13.50	2.74	21.56	35.88
	012	2.26 in ³ /rev	1800	17.64	16.35	2.74	2.84	23.05	38.92
	014	2.81 in ³ /rev	1800	21.88	20.29	19.18	3.06	28.32	47.47
	017	3.56 in ³ /rev	1800	27.71	26.16	25.01	3.38	35.24	59.38
	022	4.29 in ³ /rev	1800	37.42	31.86	30.72	3.70	42.00	70.97
	025*	4.84 in ³ /rev	1800	37.69	36.14	35.00	4.02	46.99	79.66
	028*	5.42 in ³ /rev	1800	42.23	40.94	39.53**	4.50	52.62	73.76**
	031*	6.10 in ³ /rev	1800	47.56	45.97	44.86**	4.50	58.74	87.54**

*025-028-031 = 2500 R.P.M. max.

***042-045-050 = 2200 R.P.M. max.

**028-031-050 = 3000 PSI max.Int.