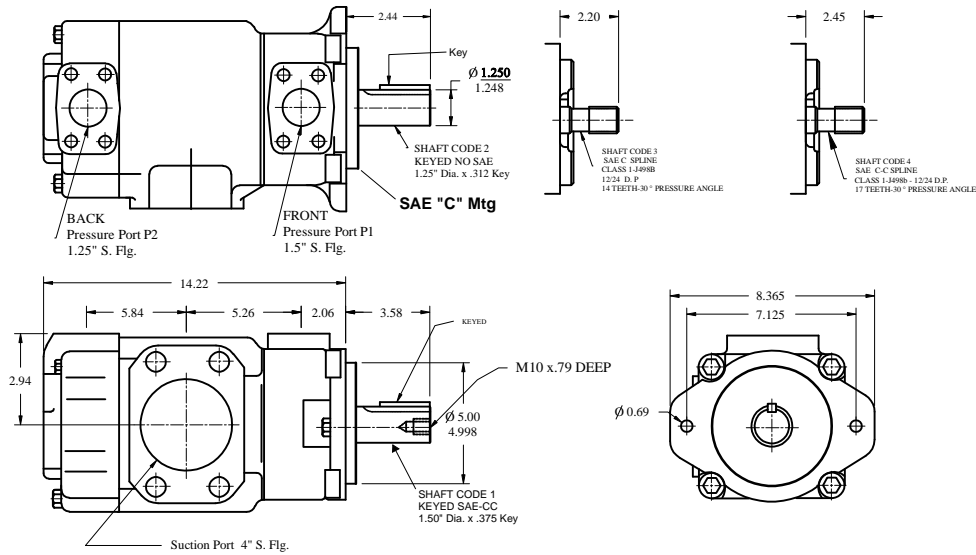


IFP T6ED DOUBLE VANE PUMP INSTALLATION/DIMENSIONS



Dimension & Operating Characteristics



Performance Data - Typical flow at 120°F, 10 W Oil (115 SUS), 0 PSI Inlet

PRESSURE PORT	Series	Volumetric Displ. Vp	Speed n[R.P.M.]	Flow(GPM)			Inputpower(HP)		
				0 PSI	2000 PSI	3500 PSI	100 PSI	2000 PSI	3500 PSI
P1	050	9.67 in ³ /rev	1800	75.36	72.19	69.94	9.17	94.30	158.19
	052	10.0 in ³ /rev	1800	78.37	75.20	72.95	9.34	96.40	164.30
	062	12.2 in ³ /rev	1800	93.53	90.36	88.10	10.14	114.25	195.04
	066	13.0 in ³ /rev	1800	101.42	98.25	96.00	10.62	123.60	211.45
	072	13.86 in ³ /rev	1800	107.98	104.81	102.56	11.10	132.92	224.49
P2	014	2.90 in ³ /rev	1800	22.64	19.69	17.72	4.02	28.97	49.24
	020	4.00 in ³ /rev	1800	31.38	28.44	26.47	4.50	39.26	67.10
	024	4.80 in ³ /rev	1800	37.82	34.87	32.88	4.82	47.63	80.14
	028	5.50 in ³ /rev	1800	42.64	39.70	37.73	5.15	52.62	89.95
	031	6.00 in ³ /rev	1800	46.73	43.79	41.82	5.30	57.44	98.16
	035	6.80 in ³ /rev	1800	52.79	49.84	47.87	5.63	64.52	110.56
	038	7.30 in ³ /rev	1800	57.19	54.24	52.28	5.95	69.68	119.40
	042*	8.30 in ³ /rev	1800	64.68	61.73	59.76	6.43	78.37	134.69
	045*	8.90 in ³ /rev	1800	69.28	66.32	64.36	6.60	83.84	144.02
	050*	9.64 in ³ /rev	1800	75.14	72.19	71.02	7.08	91.72	136.78**

*042-045-050 = 2200 R.P.M. max.

**050 = 3000 PSI max.Int.