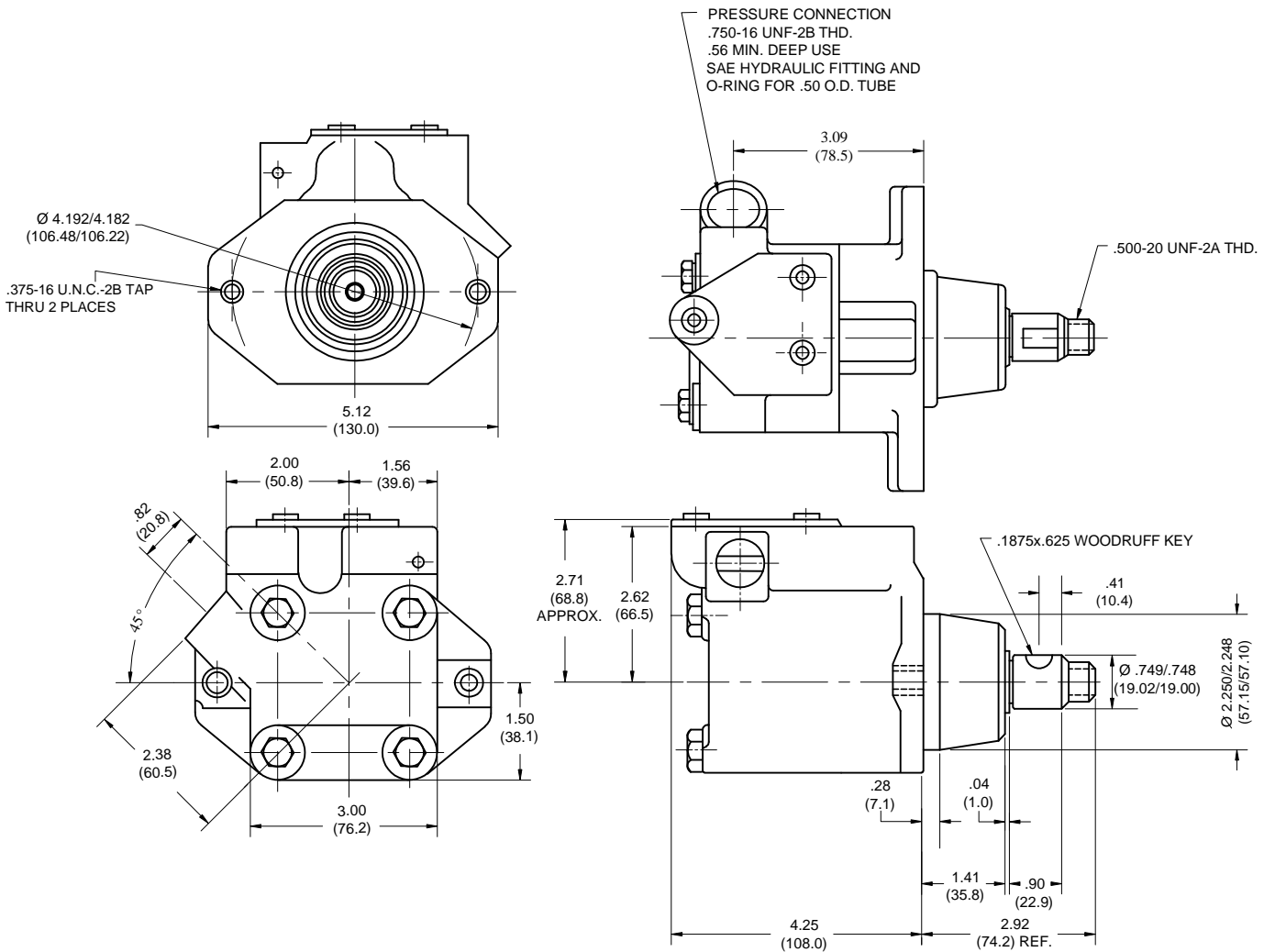


# IFP VTM42 POWER STEERING PUMP INSTALLATION/DIMENSIONS



**IFP RESERVOIRS ARE PRODUCED WITH A HEAVY GAUGE SIDE WALL THAT ALLOWS 115 CU IN SIZE TO BE MODIFIED TO 70 CU IN SIZE**

