

IFP V10 SINGLE VANE PUMP INSTALLATION DIMENSION

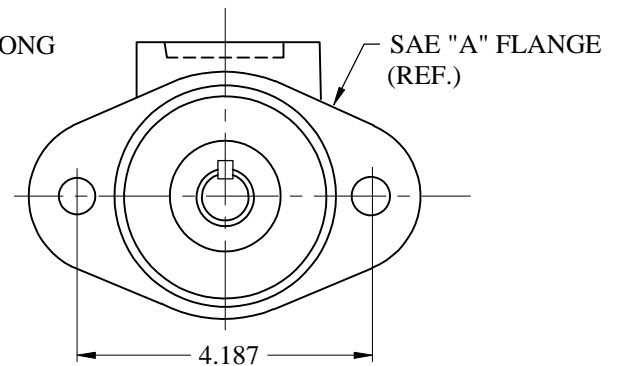
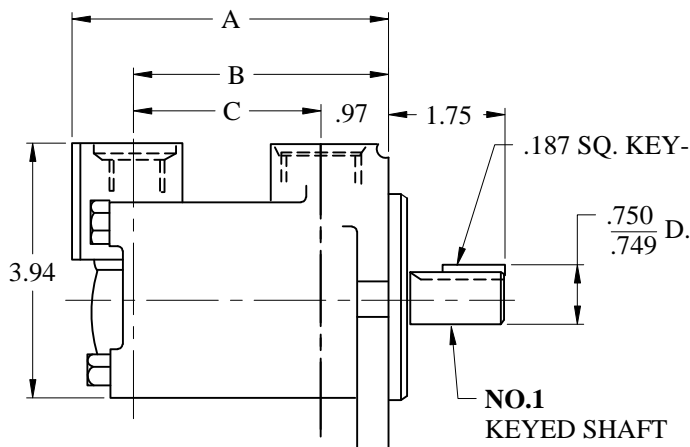
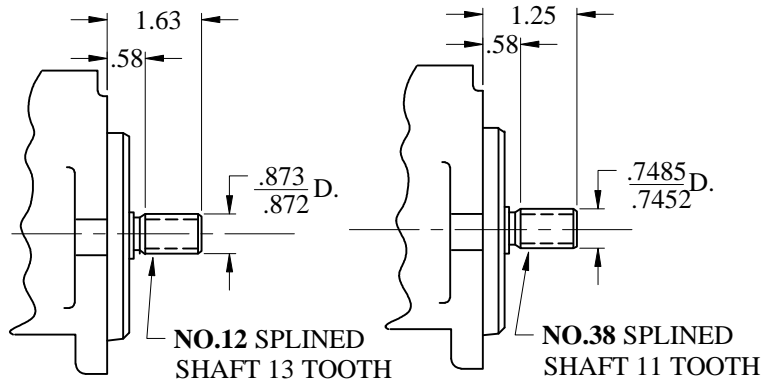
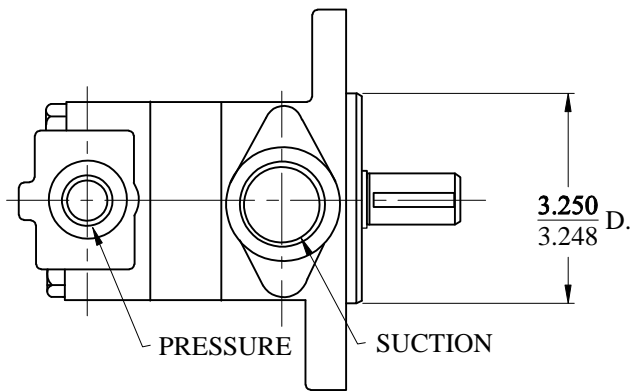
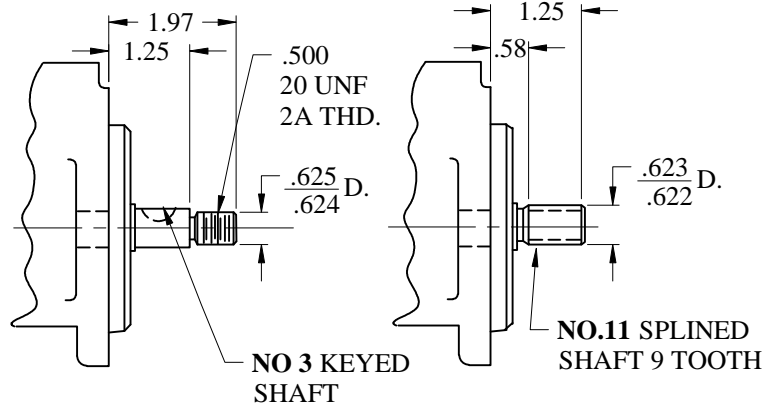


DIMENSION (inches)

DELIVERY @ 1200 RPM & 100 PSI	DIMENSION		
	A	B	C
1 GPM	4.55	3.62	2.65
2 GPM	4.55	3.62	2.65
3 GPM	4.55	3.62	2.65
4 GPM	4.80	3.87	2.90
5 GPM	4.85	3.87	2.90
6 GPM	5.00	4.07	3.10
7 GPM	5.00	4.07	3.10

Weight 10 - 15 lbs
 Pressure: 1/2" NPT
 Suction: 1" NPT
 Optional BSPT/SAE Ports available.

V10 series
Optional Shafts



Foot Bracket available
 Part # - IFB - A (see page J 1.1)

FLOW CONTROL/PRIORITY COVERS AVAILABLE.
 (SEE Page A2.5)