

# IFP V20/V210/V230 SINGLE VANE PUMP INSTALLATION DIMENSION

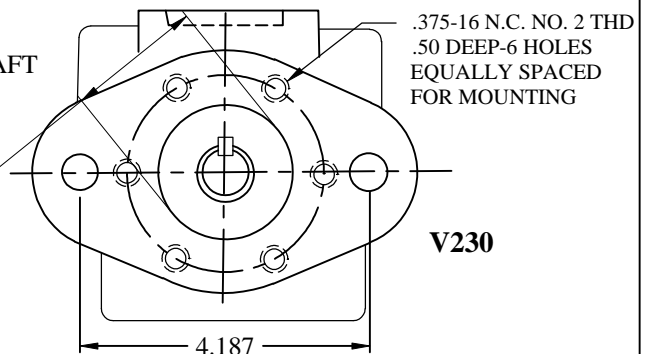
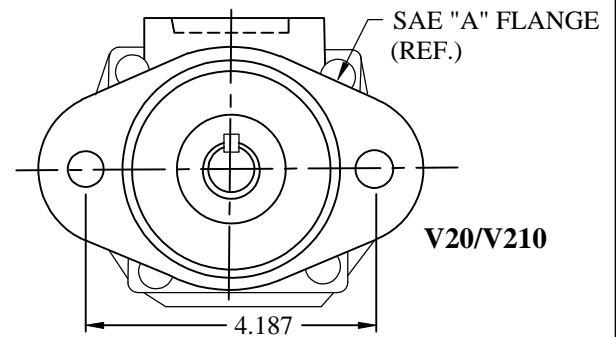
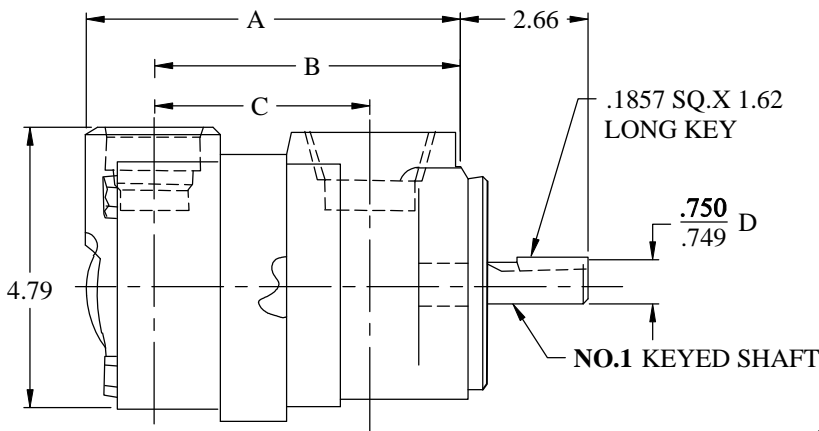
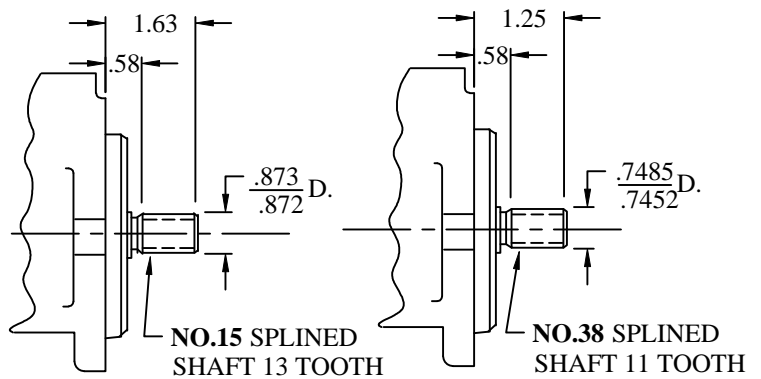
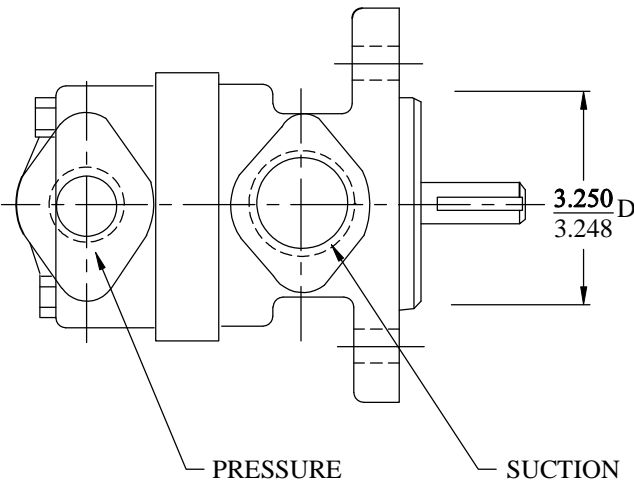
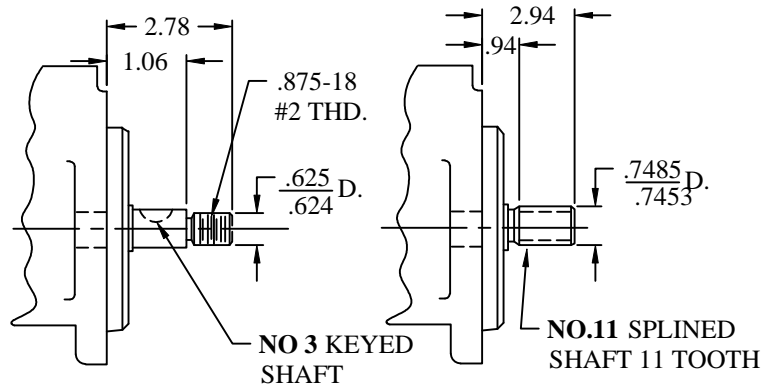


## DIMENSION (inches)

DELIVERY @ 1200 RPM & 100 PSI	DIMENSION		
	A	B	C
6	4.93	4.02	2.80
7	5.18	4.27	3.05
8	5.18	4.27	3.05
9	5.18	4.27	3.05
11	5.38	4.47	3.25
12	5.52	4.61	3.39
13	5.52	4.61	3.39

Weight 16 - 18 lbs  
 Pressure: 3/4" NPT  
 Suction: (V20) 1-1/4" NPT, (V210) 1" NPT  
 Optional BSPT/SAE Ports available.

## V20 series Optional Shafts



Foot Bracket available  
 Part # - IFB - A (see page J 1.1)

**FLOW CONTROL/PRIORITY COVERS AVAILABLE.  
 (SEE Page A2.5)**