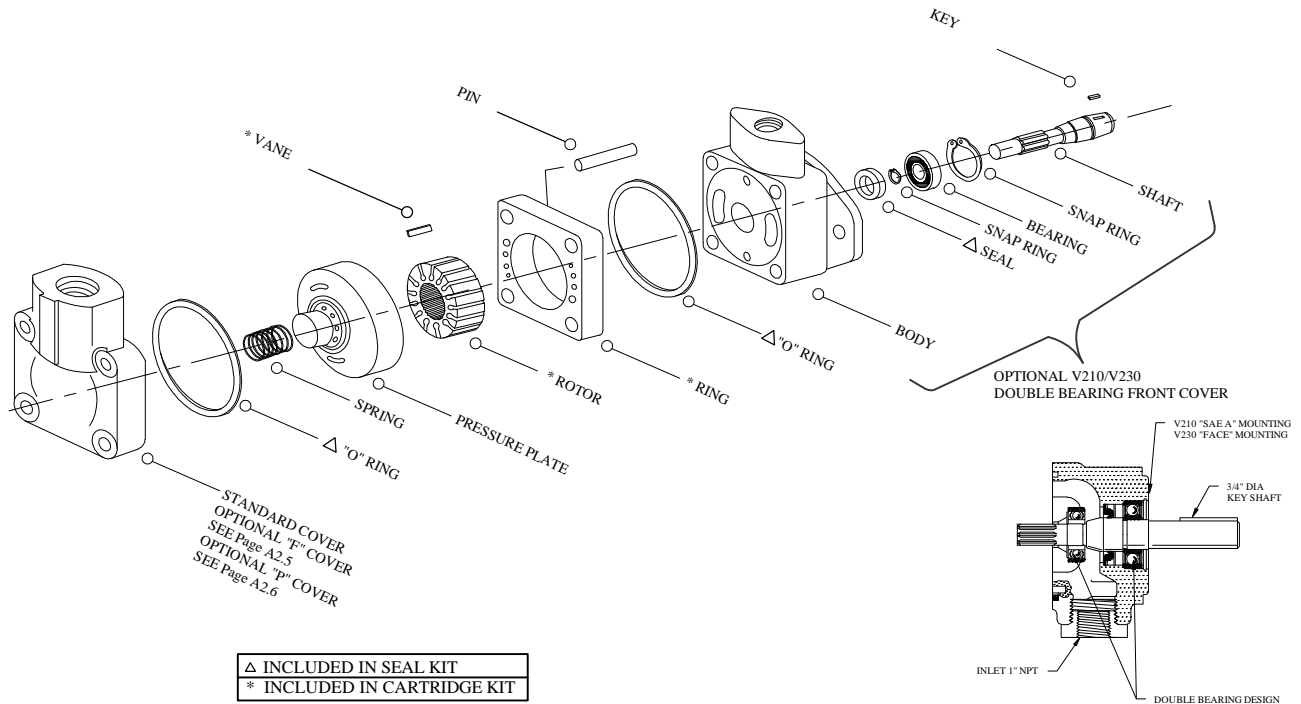


IFP V10/V20/V210/V230 VANE PUMP SERVICE PARTS INFORMATION



△ INCLUDED IN SEAL KIT
* INCLUDED IN CARTRIDGE KIT

PUMP SE	C. KIT	ROTOR	VANES	RING	SEAL	SEAL KIT	BEARING	PR. PL.	SPRING	BODY	COVER	SHAFT NO.
V10...1	923471N	317681N	923499N	317674N	263585N	923548N	148423N	374343N	345262N	352699N	372863N	SHAFT 1 NO.374338N
...2	923470N			317675N	VITON	VITON						SHAFT 3 NO.374340N
...3	923496N			317676N	388205N	919772N						SHAFT 4 NO.378959N
...4	923469N	351247N	923500N	317677N								SHAFT 6 NO.382250N
...5	923468N			317678N								SHAFT 11 NO.374339N
...6	923497N	357268N	923501N	355641N								SHAFT 12 NO. 375480N
...7	923498N			331813N								SHAFT 38 NO. 387481N
V20...5	924076N	358328N	923485N	388284N	229235N	922733N	098574N	359287N	28422N	V20	313657N	V20
(V210)...6	923480N			328150N	VITON	VITON				280689N		SHAFT 1 NO.280372N
(V230)...7	923481N	358330N	923493N	328152N	279499N	919805N				V210		SHAFT 3 NO.280504N
...8	923483N			331791N						280210N		SHAFT 6 NO.297330N
...9	923484N			331789N						V230		SHAFT 11 NO.280515N
...10	923620N	358332N	923478N	374309N						280230N		SHAFT 15 NO.294922N
...11	923482N			328156N								SHAFT 38 NO.328096N
...12	923486N	358334N	923479N	331806N								V210/V230
...13	923487N			331807N								SHAFT 1 NO.280210N

- All cartridge assemblies are factory tested prior to shipping -

Rear Cover Bolt Torque

V10	40 FT./LBS
V20	80 FT./LBS

Changing Cartridge Rotation

Assemble the ring using the locating pins for alignment making sure the arrow on the perimeter point's in the proper direction of rotation. Install the rotor on shaft and insert vanes in the rotor slots. Be certain the radius edges of the vanes are towards the cam ring.

FLOW CONTROL/PRIORITY COVER AVAILABLE