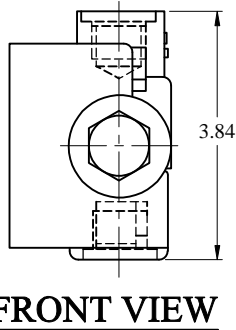
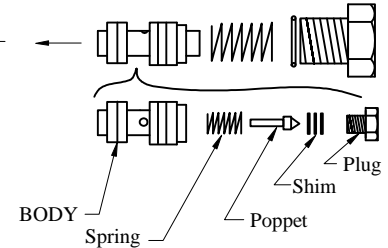
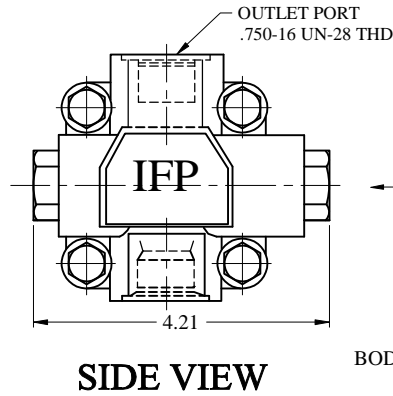
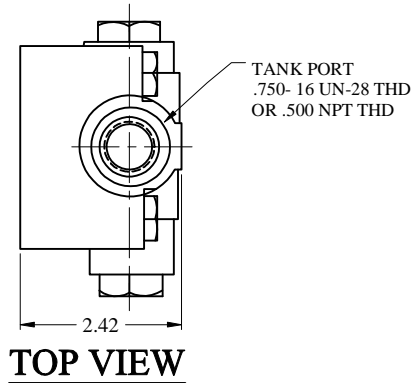


# IFP FLOW CONTROL/RELIEF COVER V10/V20F



## V10F

**PART NUMBER**  
IFP 379543N



FLOW RATE ORIFICE		RELIEF VALVE NUMBER / PRESSURE SETTING					
2	-2 USgpm	A-	250psi	229613N	H-	2000psi	232799N
3	-3 USgpm	B-	500psi	233018N	J-	2250psi	233019N
4	-4 USgpm	C-	750psi	232794N	K-	2500psi	233020N
5	-5 USgpm	D-	1000psi	232795N	BODY		700283N
6	-6 USgpm	E-	1250psi	232796N	SPRING		700285N
7	-7 USgpm	F-	1500psi	232797N	POPPET		700284N
8	-8 USgpm	G-	1750psi	232798N	SHIM		700890N

### FLOW CONTROL RELIEF VALVE

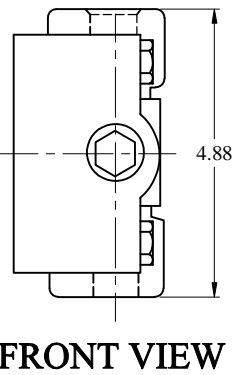
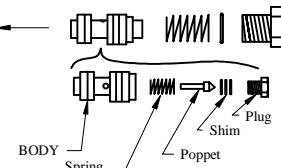
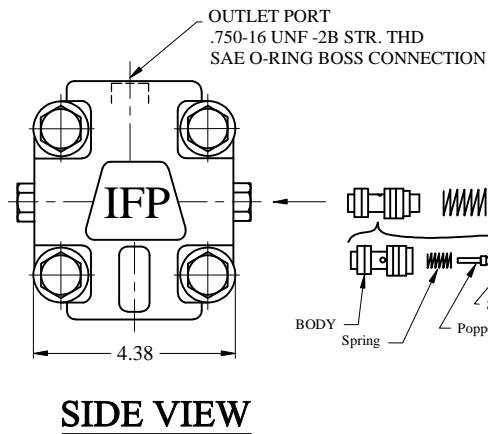
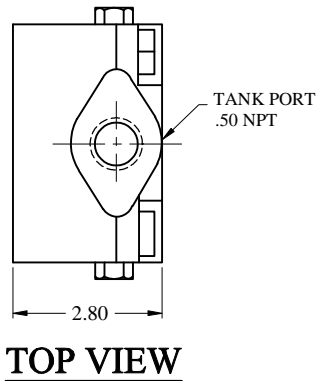
When installing control relief valve, install relief assembly in cover bore, install spring seating on hex head end of relief assembly, compress spring and install cover plug.

\*\*\* WARNING \*\*\*

Failure to follow these steps could cause serious malfunction and pressures to rise to dangerous levels.

## V20F

**PART NUMBER**  
IFP 316090N



FLOW RATE ORIFICE		RELIEF VALVE NUMBER / PRESSURE SETTING					
2	-2 USgpm	A-	250psi	229613N	H-	2000psi	232799N
3	-3 USgpm	B-	500psi	233018N	J-	2250psi	233019N
4	-4 USgpm	C-	750psi	232794N	K-	2500psi	233020N
5	-5 USgpm	D-	1000psi	232795N	BODY		700283N
6	-6 USgpm	E-	1250psi	232796N	SPRING		700285N
7	-7 USgpm	F-	1500psi	232797N	POPPET		700284N
8	-8 USgpm	G-	1750psi	232798N	SHIM		700890N

### FLOW CONTROL RELIEF VALVE

When installing control relief valve, install relief assembly in cover bore, install spring seating on hex head end of relief assembly, compress spring and install cover plug.

\*\*\* WARNING \*\*\*

Failure to follow these steps could cause serious malfunction and pressures to rise to dangerous levels.