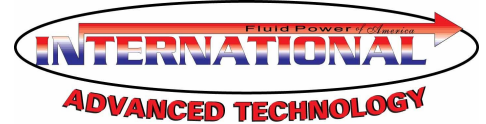
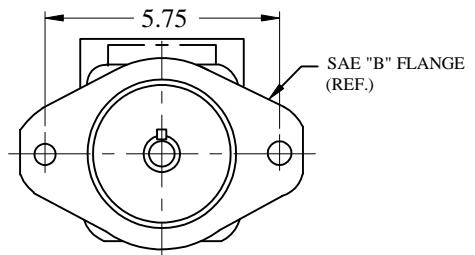
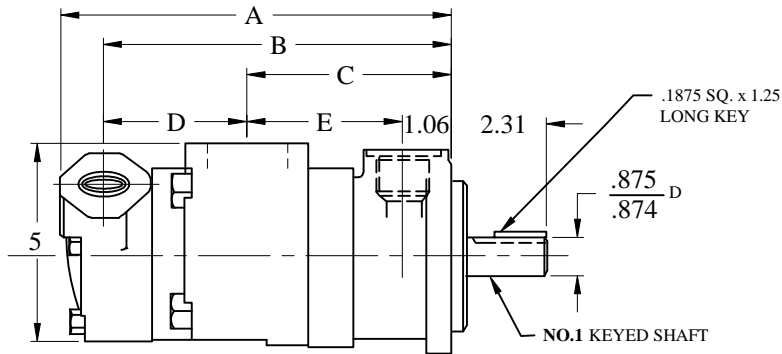
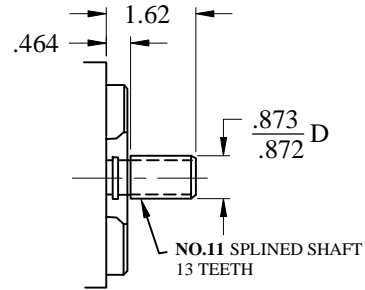
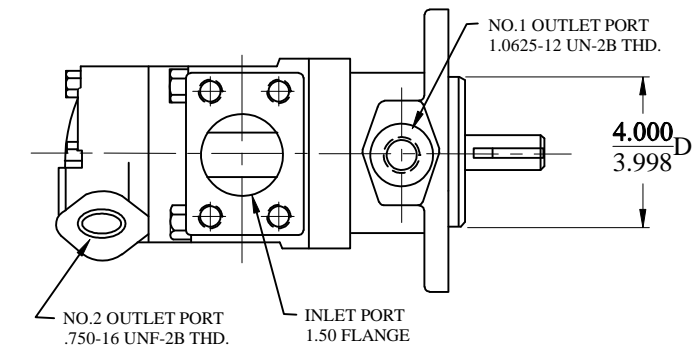


IFP V2010 DOUBLE VANE PUMP INSTALLATION DIMENSIONS



DIMENSIONS (inches)

V2010 Series
Optional Shaft



DIMENSIONS

RATED DELIVERY GPM @ 1200 RPM & 100 PSI		DIMENSIONS				
Shaft End	Cover End	A	B	C	D	E
7, 8 or 9	1, 2 or 3	8.39	7.45	4.46	2.99	3.40
7, 8 or 9	4 or 5	8.64	7.70	4.46	3.24	3.40
7, 8 or 9	6 or 7	8.84	7.90	4.46	3.44	3.40
11	1, 2 or 3	8.59	7.65	4.65	2.99	3.59
11	4 or 5	8.84	7.90	4.65	3.24	3.59
11	6 or 7	9.04	8.10	4.65	3.44	3.59
12 or 13	1, 2 or 3	8.73	7.79	4.79	2.99	3.73
12 or 13	4 or 5	8.97	8.03	4.79	3.24	3.73
12 or 13	6 or 7	8.23	8.03	4.79	3.44	3.73

Weight 30 lbs.

Foot Bracket Available
Part Nbr - IFB-B
(see page J 1.1)