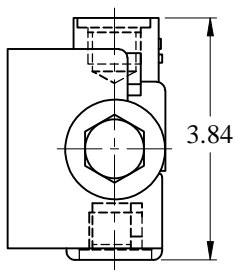
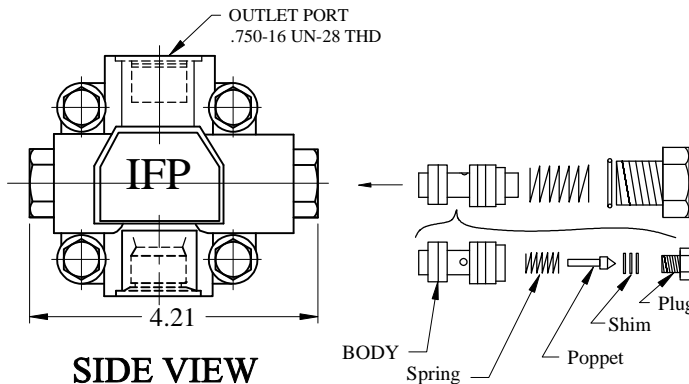
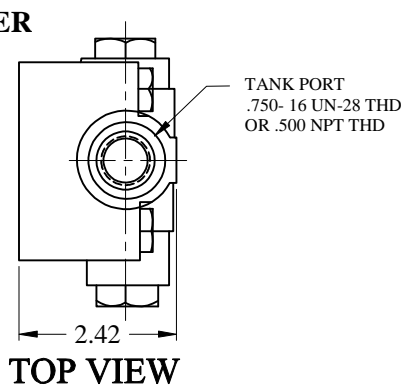


# IFP V2010 DOUBLE VANE PUMP FLOW CONTROL/PRIORITY CONTROL COVERS

## FLOW CONTROL COVER

**PART NUMBER**  
**IFP 379543N**



FLOW RATE ORIFICE		RELIEF VALVE NUMBER / PRESSURE SETTING					
2	-2 USgpm	A-	250psi	229613N	H-	2000psi	232799N
3	-3 USgpm	B-	500psi	233018N	J-	2250psi	233019N
4	-4 USgpm	C-	750psi	232794N	K-	2500psi	233020N
5	-5 USgpm	D-	1000psi	232795N			
6	-6 USgpm	E-	1250psi	232796N			
7	-7 USgpm	F-	1500psi	232797N			
8	-8 USgpm	G-	1750psi	232798N			

### FLOW CONTROL RELIEF VALVE

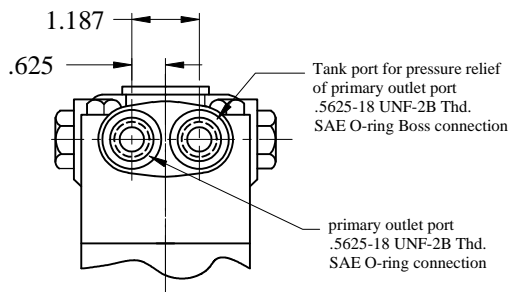
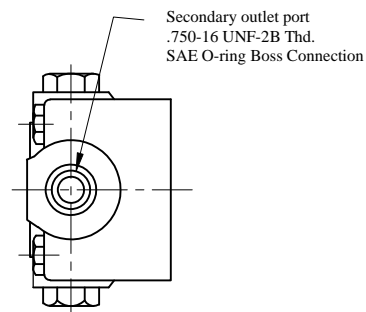
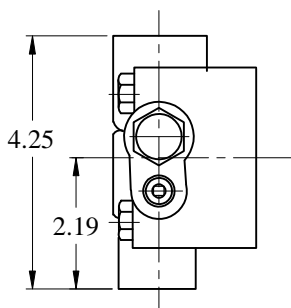
When installing control relief valve, install relief assembly in cover bore, install spring seating on hex head end of relief assembly, compress spring and install cover plug.

\*\*\* WARNING \*\*\*

Failure to follow these steps could cause serious malfunction and pressures to rise to dangerous levels.

## PRIORITY CONTROL COVER

**PART NUMBER**  
**IFP 388262N**



FLOW RATE ORIFICE		RELIEF VALVE NUMBER / PRESSURE SETTING					
2	-2 USgpm	A-	250psi	229613N	H-	2000psi	232799N
3	-3 USgpm	B-	500psi	233018N	J-	2250psi	233019N
4	-4 USgpm	C-	750psi	232794N	K-	2500psi	233020N
5	-5 USgpm	D-	1000psi	232795N			
6	-6 USgpm	E-	1250psi	232796N			
7	-7 USgpm	F-	1500psi	232797N			
8	-8 USgpm	G-	1750psi	232798N			