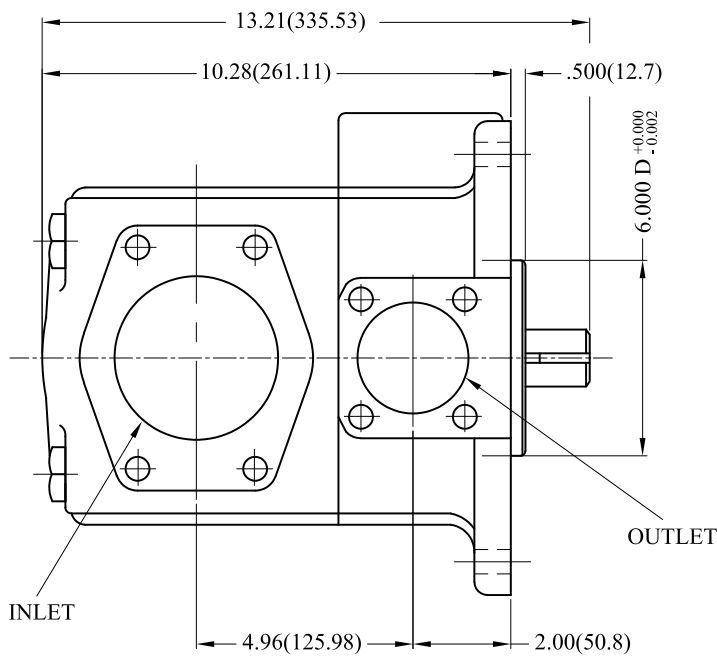
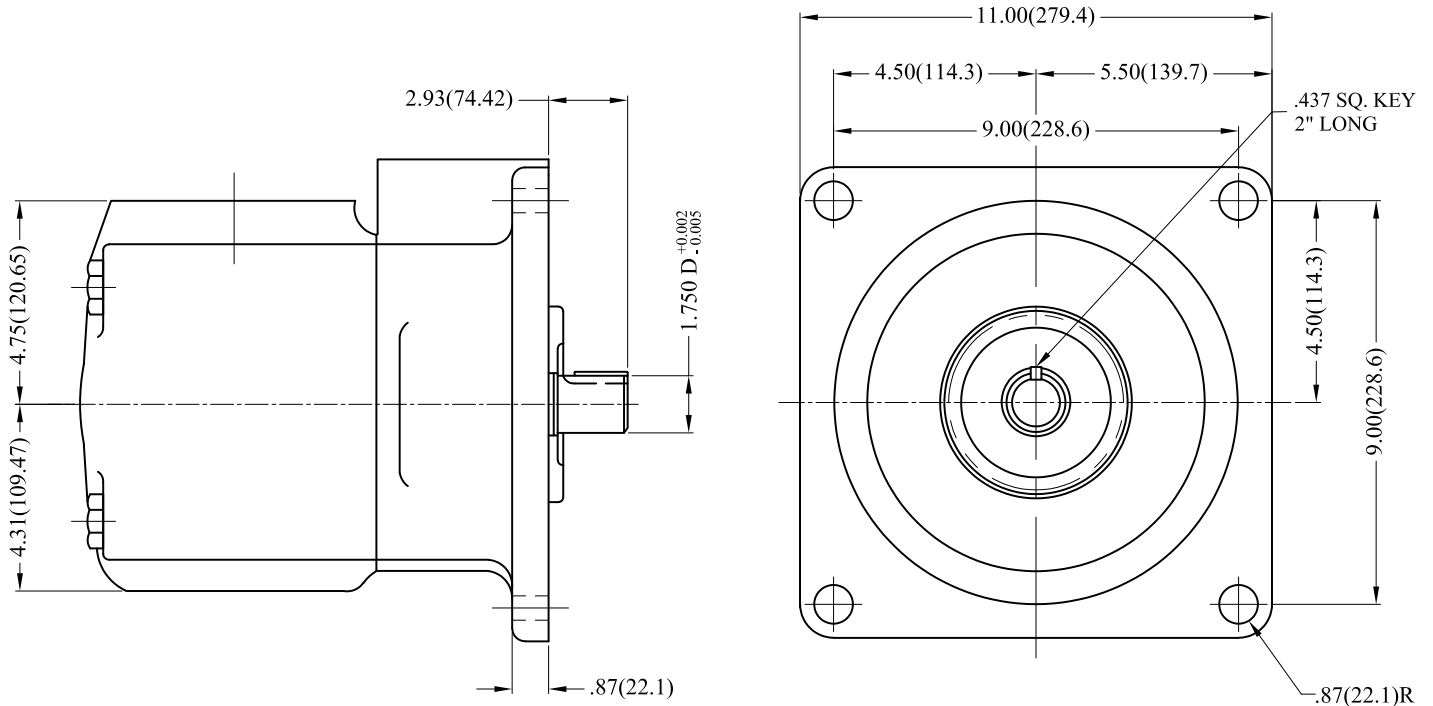


50 V INDUSTRIAL SINGLE PUMP INSTALLATION DIMENSIONS



Weight - 138 lbs
 Inlet - 4" Flange Connection
 Outlet - 2" Flange Connection

Note: Pump inlet Pressure may not exceed 20 PSI