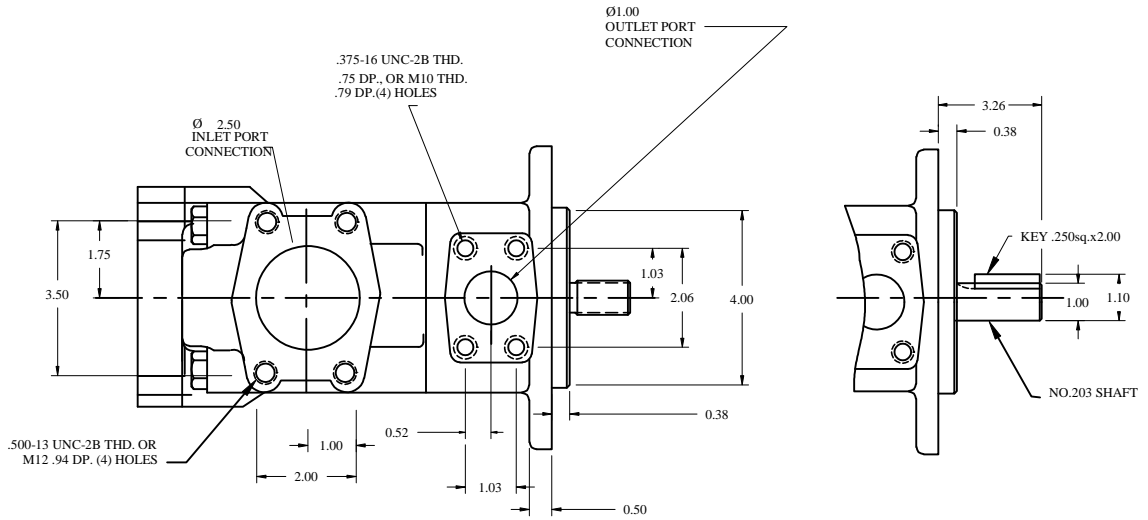
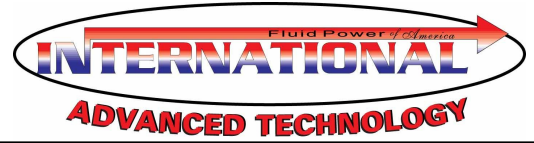
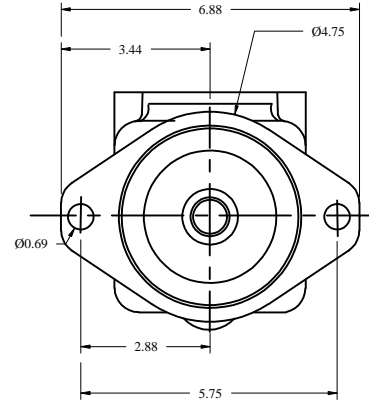
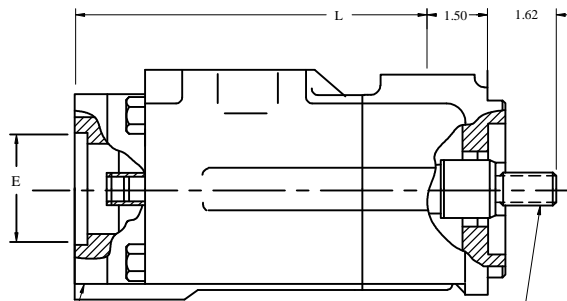


IFP 25VT/VQT VANE PUMPS



Series	"L"	"E"
25VTA	8.940	3.25
25VTB	9.300	4.00



NOTE-A/B ADAPTERS
AVAILABLE, SEE PAGE A6.4

NO.297 SHAFT
INVOLUTE SPLINE.
FLAT ROOT, SIDE FIT
13 TEETH, 16/32 PITCH.
30° PRESSURE ANGLE
.875/.853 MAJOR DIA.
.725 MINOR DIAMETER.

◆ 25VT/VQT Pump Ordering Specifications

