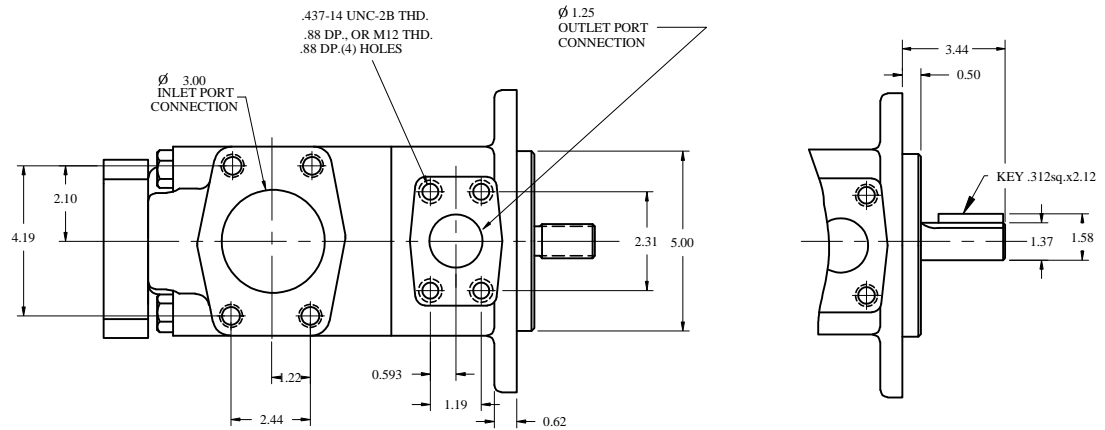
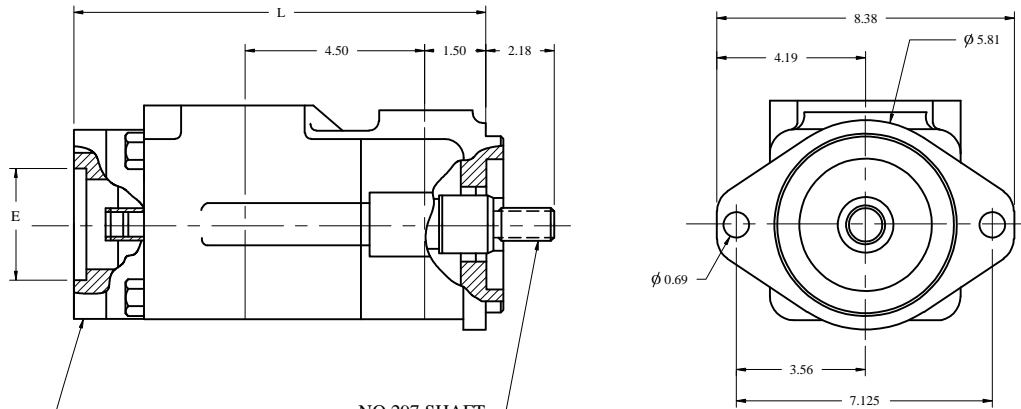


IFP 35VT/VQT VANE PUMPS



Series	"L"	"E"
35VTA	9.890	3.25
35VTB	10.25	4.00
35VTC	10.50	5.00



NOTE-A/B ADAPTERS AVAILABLE, SEE PAGE A6.4

NO.297 SHAFT
INVOLUTE SPLINE.
FLAT ROOT, SIDE FIT
14 TEETH, 16/32 PITCH.
30° PRESSURE ANGLE
1.25/1.22 MAJOR DIA.
1.05 MINOR DIAMETER.

◆ 35VT/VQT Pump Ordering Specifications

