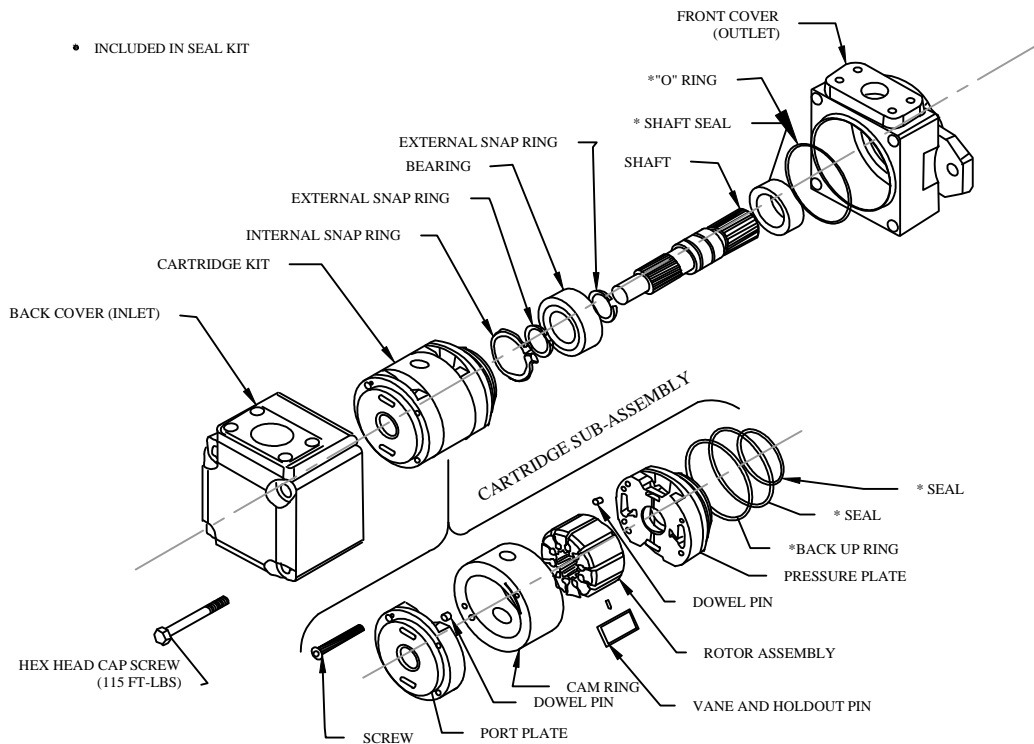


IFP T6D-N SINGLE VANE PUMP SERVICE PARTS INFORMATION



CARTRIDGE CHART

| PUMP SIZE | CART. KIT | CAM RING | VANE KIT | ROTOR | PRESSURE PLATE | PORT PLATE | SHAFTS |
|-----------|------------|------------|------------|------------|----------------|------------|---------------|
| T6D-014 | S24-33849N | 034-66708N | 034-53588N | S24-10121N | 034-59808N | 034-59810N | #1 034-70858N |
| T6D-020 | S24-26486N | 034-66596N | | | | | #2 034-70980N |
| T6D-024 | S24-97784N | 034-59294N | | | | | #3 034-70859N |
| T6D-028 | S24-10837N | 034-59133N | | | | | |
| T6D-031 | S24-10839N | 034-59135N | | | | | |
| T6D-035 | S24-10841N | 034-59137N | | | | | |
| T6D-038 | S24-10843N | 034-59139N | | | | | |
| T6D-042 | S24-10845N | 034-59132N | | | | | |
| T6D-045 | S24-10847N | 034-59131N | | | | | |
| T6D-050 | S24-40028N | 034-66737N | | | | | |

- All cartridge assemblies are factory tested prior to shipping -

| STANDARD SEAL KIT | VITON SEAL KIT | STANDARD SHAFT SEAL | VITON SHAFT SEAL | BEARING | FRONT COVER | BACK COVER |
|-------------------|----------------|---------------------|------------------|------------|-------------|------------|
| S24-10138-0-N | S24-20047-5N | 620-82062N | 620-82066N | 230-00207N | 034-47916N | 034-47917N |

Filtration

For satisfactory service life, use full flow filtration to provide fluid which meets ISO cleanliness code 16/13 or better.