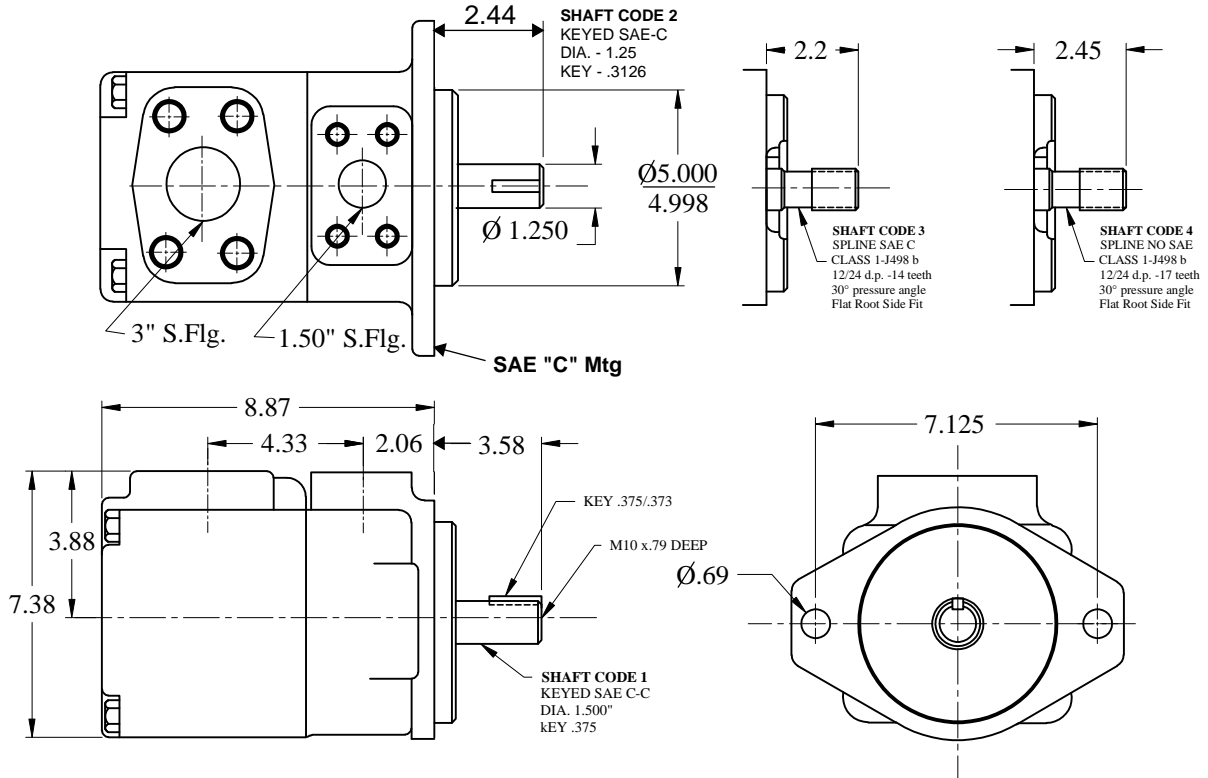


IFP T6E SINGLE VANE PUMP INSTALLATION/DIMENSIONS



Dimension & Operating Characteristics



Performance Data - Typical flow at 120°F, 10 W Oil (115 SUS), 0 PSI Inlet

Series	Volumetric Displ. Vp	Speed n[R.P.M.]	Flow(GPM)			Inputpower(HP)		
			0 PSI	2000 PSI	3500 PSI	100 PSI	2000 PSI	3500 PSI
T6E-045	8.70 in ³ /rev	1200	45.15	41.98	39.72	5.47	55.84	95.27
		1800	67.72	64.55	62.29	8.69	84.00	142.74
T6E-050	9.67 in ³ /rev	1200	50.25	47.08	41.66	5.63	62.76	105.56
		1800	75.36	72.19	69.94	9.17	94.30	158.19
T6E-052	10.0 in ³ /rev	1200	52.25	49.08	46.82	5.80	64.21	109.75
		1800	78.37	75.20	72.95	9.34	96.40	164.30
T6E-062	12.2 in ³ /rev	1200	62.36	59.20	56.94	6.43	75.96	130.19
		1800	93.53	90.36	88.10	10.14	114.25	195.04
T6E-066	13.0 in ³ /rev	1200	67.62	64.55	62.29	6.76	82.24	141.13
		1800	101.42	98.25	96.00	10.62	123.60	211.45
T6E-072	13.86 in ³ /rev	1200	72.00	68.83	66.58	6.92	88.51	149.82
		1800	107.98	104.81	102.56	11.10	132.92	224.49