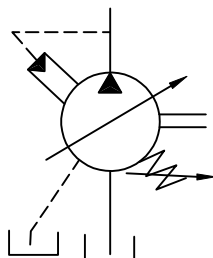


IFP VARIABLE DISPLACEMENT PVB5...PVB45 PISTON PUMPS



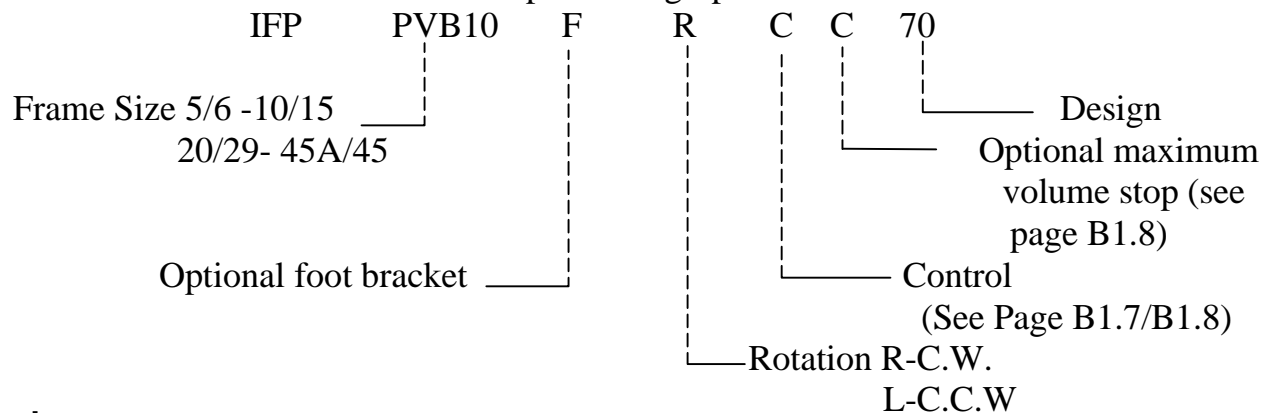
IFP piston pumps are inline, variable volume units available in 4 frame sizes and 8 displacements. The wide variety of controls and overall efficiency make them ideal for the most demanding industrial applications.



Features

- **ECONOMICAL**
PVB series combine quality performance with low overall cost.
- **QUIET**
Noise levels are below the industry standards.
- **EFFICIENT**
High volumetric and overall efficiency for industrial applications.
- **CONTROLS**
Variety of manual and compensating controls provide fast stable control of units.
- **MOUNTING**
Mountings, shafts and port sizes are SAE standard. Metric units available on request.

◆ Piston Pump Ordering Specifications



Warning

Before starting fill pump case with system fluid through uppermost drain port. Housing must be kept full at all times to provide internal lubrication.