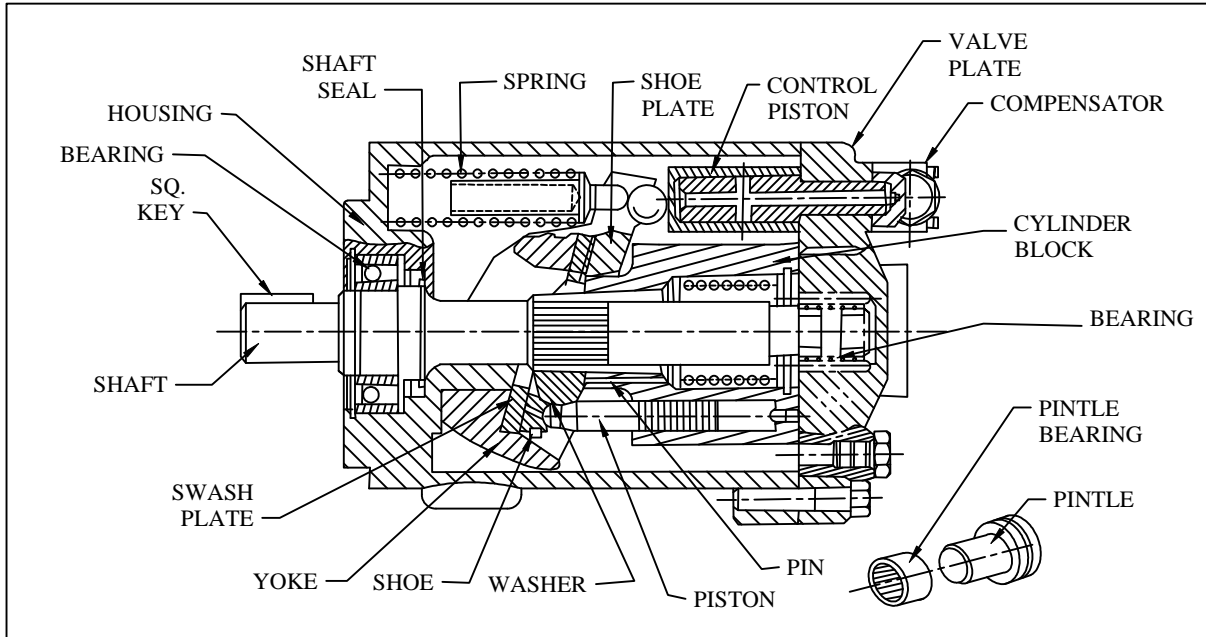


IFP PVB10/15 PISTON PUMPS



SERVICE PARTS INFORMATION



PART #	DESCRIPTION	PART #	DESCRIPTION	PART #	DESCRIPTION
938276N	ROT GROUP PVB10	919682N	SEAL KIT	058303N	Y SHAFT KEY
938273N	ROT GROUP PVB15	343573N *	SEAL	274382N	RETAINER
239077N	Δ SW. PLATE	317162N *	GASKET	265425N	PINTLE
942047N	Δ PISTON PVB10(9)	244956N *	COMP. GASKET	012016N	PINTLE BEARING
941887N	Δ PISTON PVB15(9)	357652N	HOUSING	245223N	LIFT LIMITER
275961N	Δ SHOE PLATE	342743N	YOKE	093509N	RET. RING
423324N	Δ SPHER. WASHER	278634N	YOKE BIG SPRING	942327N	Piston & Rod Ass.
248812N	Δ PINS(3)	317239N	YOKE SM. SPRING	185638N	RET. RING
321703N	Δ CYL BLOCK PVB10	120428N	RET. RING OUT	039465N	PLATE BEARING
260860N	Δ CYL BLOCK PVB15	119982N	RET. RING IN	942165N	RH PLATE PVB10
241954N	Δ THRUST WASHER	284397N	BEARING SHAFT	942166N	LH PLATE PVB10
247294N	Δ SPRING CYL. BL.	261478N	SHAFT SHORT	942167N	RH PLATE PVB15
942158N	C COMPENSATOR	270369N	SHAFT LONG	942168N	LH PLATE PVB15
942159N	CM COMPENSATOR	942190N	MAX STOP (CCW)		
942480N	CG COMPENSATOR	942191N	MAX STOP (CW)		
924059N	CVP COMPENSATOR				

* INCLUDE IN SEAL KIT

Δ INCLUDE IN ROTATING GROUP

Bolt Torque 150-181 lb.in

Note:

- Optional side ports, thru-shaft available.
- Optional compensator/controls available. (see page B1.7)
- Optional maximum flow adjustment available. (see page B1.8)
- Optional foot bracket

Filtration

For satisfactory service life use full flow filtration to provide fluid which ISO cleanliness code 16/13 .