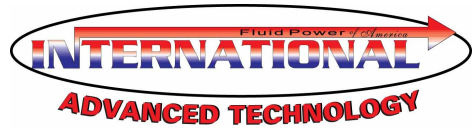
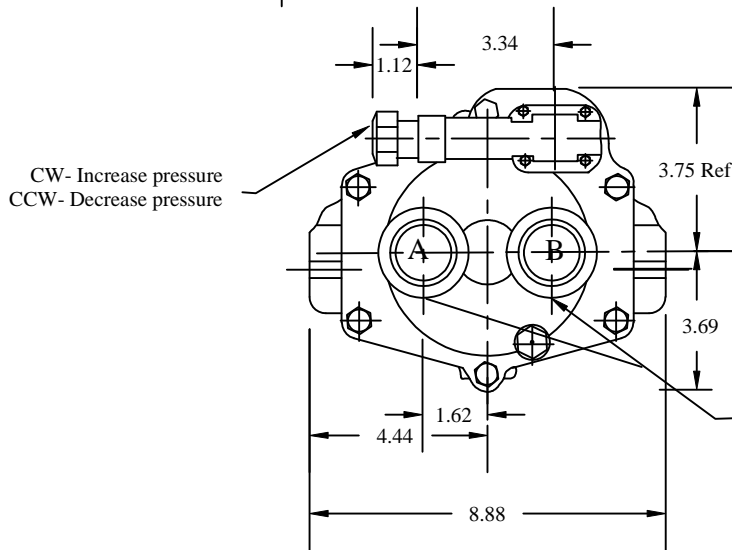
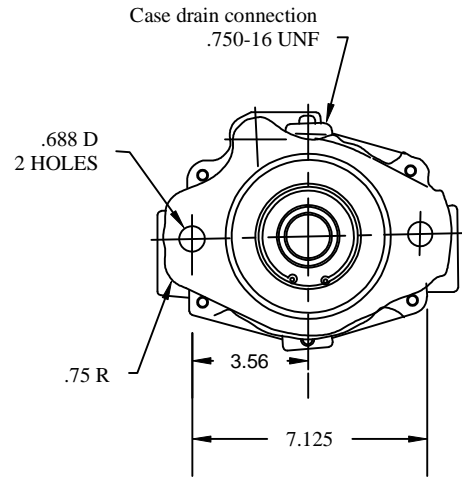
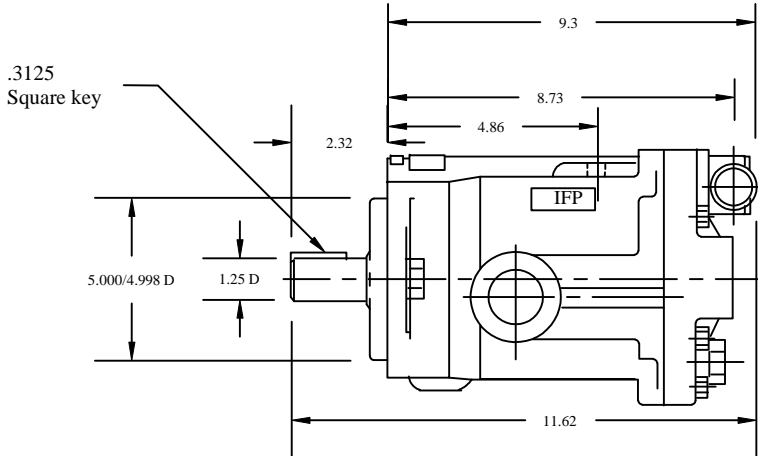


IFP PVB20/29 INSTALLATION DIMENSIONS



DIMENSION(INCHES)



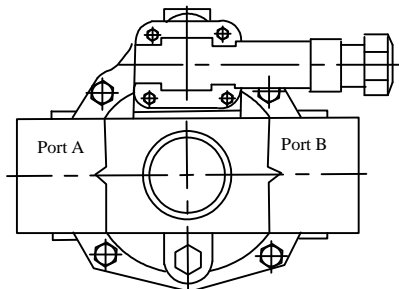
Rotation	Oil port Inlet/Outlet
R.H	A B
L.H	B A

Bracket mount available
Part NBR- IFB-C
(See Page J1.1)

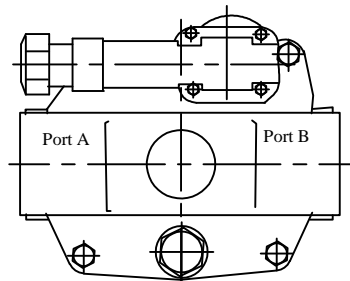
CONNECTION A&B
1.625-12N SAE "O" RING
1.25 "O" D TUBING

SIDE PORT OPTION

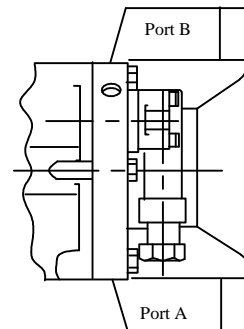
	Connection A & B
PVB5/6	1" O.D Tubing /1.312-12UNF
PVB10/15	1 1/4" O.D Tubing /1.625-16UNF
PVB20/29	1 1/2" SAE 4 Bolt Flange



PVB5/6



PVB10/15



PVB20/29