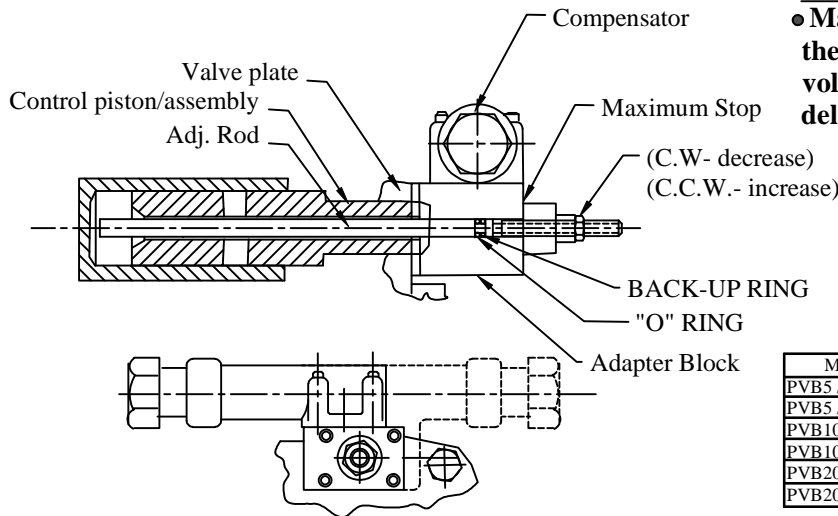
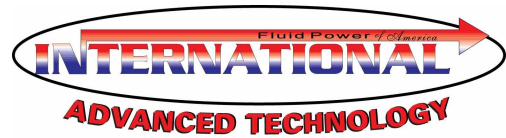


# OPTIONAL CONTROLS

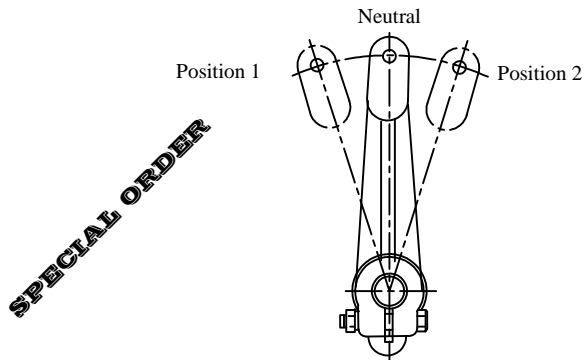


## Control "C"

- **Maximum volume stop incorporates the "C" compensator with an adjustable volume stop. The maximum pump delivery is externally adjusted.**

MODEL	Max stop S/A No.	Adj. Rod	Adapter block
PVB5 /6 L.H.-**	942188N	354573N	354578N
PVB5 /6 R.H.-**	942189N	354573N	354579N
PVB10/15 L.H.-**	942190N	354574N	354579N
PVB10/15 R.H.-**	942191N	354574N	354578N
PVB20/29 L.H.-**	942192N	354575N	354578N
PVB20/29 R.H.-**	942192N	354575N	354578N

Available in frame size PVB5 to PVB29



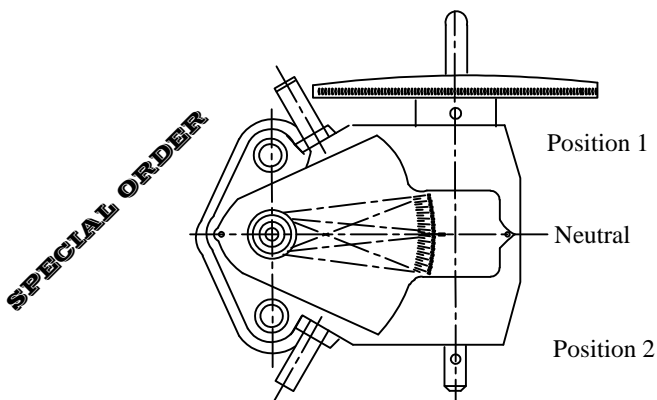
## Control "M"

-Level control-

- **"M" control provides manual adjustment of pump flow. Level must be secured in position to maintain respected flow.**

Rotation	Level Position	Outlet Port
R.H	1	A
R.H	2	B
L.H	1	B
L.H	2	A

Available in frame size PVB5 to PVB15



## Control "H"

-Handwheel control-

- **Turning handwheel provides over-center control of pump output flow.**

Shaft Rotation	Pointer Position	Outlet Port
R.H	1	A
R.H	2	B
L.H	1	B
L.H	2	A

Available in frame size PVB5 to PVB15