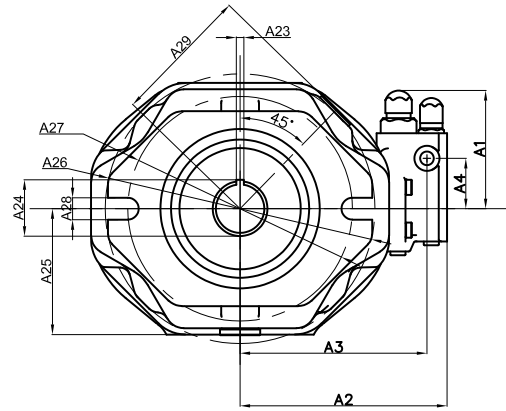
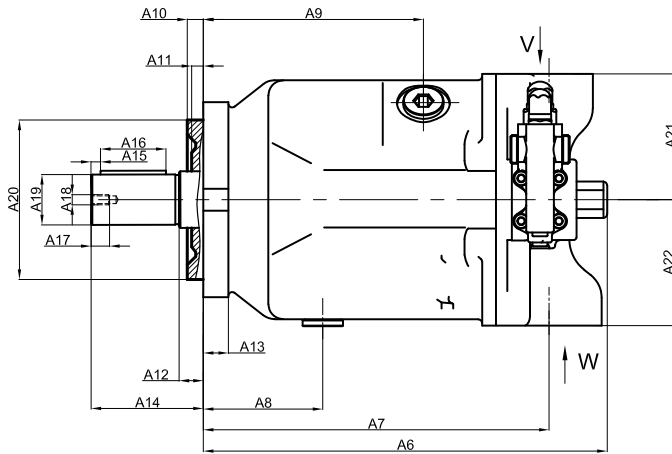
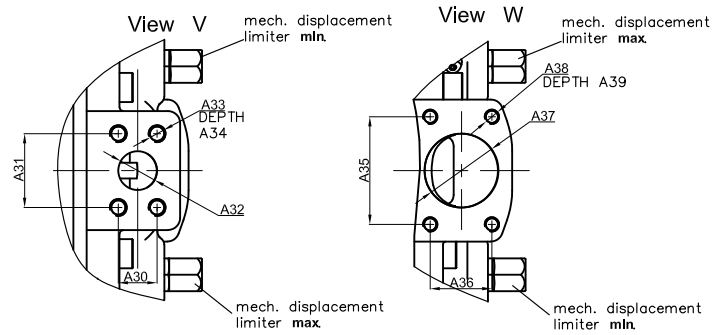


# IFP A10VSO PISTON PUMPS DIMENSIONAL DRAWINGS

(SIDE PORTED UNITS)



	INLET PORT - W	OUTLET PORT - V	CASE DRAIN PORT - L / L1
A10V18	1" SAE S. FLG	3/4" SAE S. FLG	9/16-18 SAE
A10V28	1 1/4" SAE S. FLG	3/4" SAE S. FLG	3/4-16 SAE
A10V45	1 1/2" SAE S. FLG	1" SAE S. FLG	7/8-14 SAE
A10V71	2" SAE S. FLG	1" SAE S. FLG	7/8-14 SAE
A10V100	2 1/2" SAE S. FLG	1 1/4" SAE S. FLG	1 1/16-12 SAE
A10V140	2 1/2" SAE S. FLG	1 1/4" SAE S. FLG	1 1/16-12 SAE



	18	28	45	71	100	140
A1	4.11 (104.5)	4.13 (105)	4.13 (105)	4.13 (105)	4.13 (105)	4.92 (125)
A2	4.94 (125.5)	5.33 (135.5)	5.72 (145.5)	6.27 (159.5)	6.46 (164.5)	8.22 (209)
A3	4.68 (119)	4.68 (119)	5.07 (129)	5.62 (143)	5.82 (148)	7.20 (183)
A4	1.57 (40)	1.57 (40)	1.57 (40)	1.57 (40)	1.57 (40)	1.02 (40)
A5	5.11 (130)	4.68 (119)	5.27 (162)	6.37 (162)	9.01 (229)	9.6 (244)
A6	7.67 (195)	8.11 (206)	8.81 (224)	10.11 (257)	12.83 (326)	13.26 (337)
A7	5.71 (145)	6.47 (164.5)	7.24 (184)	8.54 (217)	10.82 (275)	10.82 (275)
A8	1.69 (43)	1.57 (40)	1.77 (45)	2.08 (53)	3.74 (95)	3.07 (78)
A9	3.26 (83)	3.54 (90)	3.27 (96)	4.52 (115)	6.88 (175)	6.81 (173)
A10	.24 (6.3)	.35 (9)	.35 (9)	.35 (9)	.35 (9)	.35 (9)
A11	.24 (6.3)	.24 (6.3)	.24 (6.3)	.23 (6)	.23 (6)	.23 (6)
A12	.31 (8)	.39 (10)	.39 (10)	.39 (10)	.39 (10)	.39 (10)
A13	.45 (11.5)	.51 (13)	.51 (13)	.78 (20)	.67 (17)	.83 (21)
A14	1.02 (26)	1.81 (46)	2.05 (52)	2.36 (60)	3.15 (80)	3.62 (92)
A15	.08 (2)	.08 (2)	.12 (3)	.09 (2.5)	.06 (1.5)	.06 (1.5)
A16	.98 (25)	1.25 (32)	1.41 (36)	1.77 (45)	2.67 (68)	3.14 (80)
A17	.63 (16)	.63 (16)	.75 (19)	.87 (22)	1.1 (28)	1.41 (36)
A18	1/4-20UNC	1/4-20UNC	1/4-20UNC	1/4-20UNC	1/4-20UNC	1/4-20UNC
A19	.750 (19.05)	.875 (22.225)	1.00 (25.4)	1.25 (35)	1.50 (104.5)	1.75 (44.45)
A20	3.25 (82.5)	4.00 (101)	4.00 (101)	5.00 (127)	5.00 (127)	6.00 (152)

	18	28	45	71	100	140
A21	4.68 (119)	4.68 (119)	5.07 (129)	5.62 (143)	5.82 (148)	7.20 (183)
A22	2.48 (63)	3.15 (80)	3.54 (90)	4.09 (104)	3.94 (100)	4.33 (110)
A23	*	*	*	*	*	*
A24	*	*	*	*	*	*
A25	2.67 (68)	2.95 (75)	3.19 (81)	3.62 (92)	3.74 (95)	4.25 (108)
A26	4.11 (104.5)	6.85 (174)	6.96 (177)	8.27 (210)	8.27 (210)	*
A27	4.29 (109)	5.51 (140)	5.51 (140)	7.09 (180)	7.09 (180)	8.81 (224)
A28	.43 (11)	.55 (14)	.55 (14)	.71 (18)	.69 (17.5)	.71 (18)
A29	2.60 (66)	2.91 (74)	3.27 (83)	3.86 (98)	4.17 (106)	4.66 (118.5)
A30	.87 (22.2)	.87 (22.2)	1.03 (26.2)	1.19 (30.22)	1.25 (31.8)	1.25 (31.8)
A31	1.87 (47.6)	1.87 (47.6)	2.06 (52.4)	2.06 (52.4)	2.63 (66.7)	2.63 (66.7)
A32	.79 (20)	.79 (20)	.98 (25)	.98 (25)	1.33 (33)	1.26 (32)
A33	3/8-16UNC	3/8-16UNC	3/8-16UNC	3/8-16UNC	1/2-13UNC	1/2-13UNC
A34	.79 (20)	.67 (17)	.67 (17)	.79 (20)	.94 (24)	.79 (20)
A35	2.06 (52.4)	2.31 (58.47)	2.75 (69.9)	3.06 (77.8)	3.50 (88.9)	3.50 (88.9)
A36	1.03 (26.2)	1.16 (30.2)	1.41 (35.7)	1.69 (42.9)	2.00 (50.8)	2.00 (50.8)
A37	.98 (25)	1.26 (32)	1.57 (40)	1.97 (50)	2.40 (61)	2.48 (63)
A38	3/8-16UNC	7/16-16UNC	1/2-13UNC	1/2-13UNC	1/2-13UNC	1/2-13UNC
A39	.79 (20)	.67 (17)	.79 (20)	.79 (20)	.79 (20)	.79 (20)
A40						