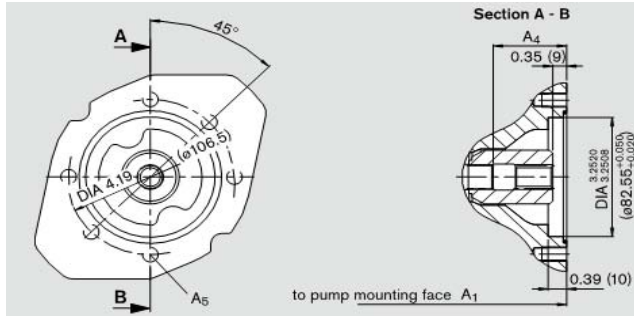


IFP A10VSO PISTON PUMPS THROUGH DRIVE SPECIFICATIONS



K01 FLANGE: SAE-A

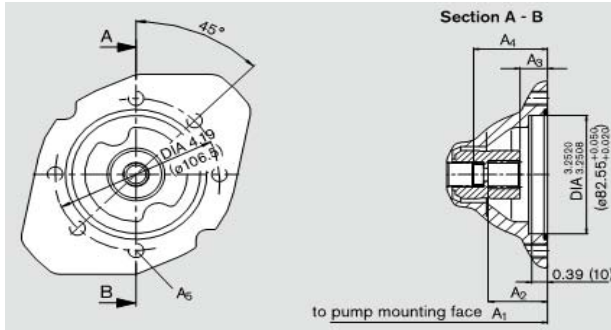
Coupling to adapt spline shaft = 5/8 - 9 teeth 16/32 DP (SAE-A)



	A1	A4	A5
A10VSO18	7.17 (182)	1.65 (42)	M10
A10VSO28	8.03 (204)	1.85 (47)	M10
A10VSO45	9.02 (229)	2.09 (53)	M10
A10VSO71	10.51(267)	2.09 (61)	M10
A10VSO100	13.31(338)	2.56 (65)	M10
A10VSO140	13.78(350)	3.03 (77)	M10

K52 FLANGE: SAE-A

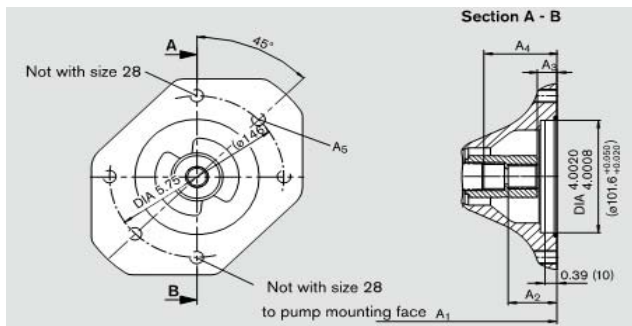
Coupling to adapt spline shaft = 3/4 - 11 teeth 16/32 DP



	A1	A2	A3	A4	A5
A10VSO18	7.17 (182)	1.57 (40)	.74 (18.8)	1.69 (43)	M10
A10VSO28	8.03 (204)	1.53 (39)	.74 (18.8)	1.85 (47)	M10
A10VSO45	9.02 (229)	1.57 (40)	.75 (18.9)	2.09 (53)	M10
A10VSO71	10.51(267)	1.57 (40)	.84 (21.3)	2.40 (61)	M10
A10VSO100	13.31(338)	1.57 (40)	.75 (18.9)	2.56 (65)	M10
A10VSO140	13.78(350)	1.61 (41)	.75 (18.9)	3.03 (77)	M10

K68 FLANGE: SAE-B

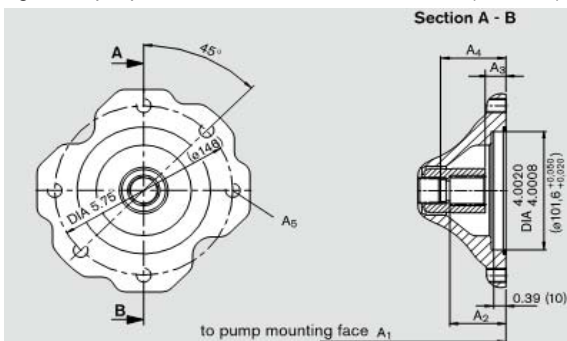
Coupling to adapt spline shaft = 7/8 - 13 teeth 16/32 DP (SAE-B)



	A1	A2	A3	A4	A5
A10VSO28	8.03 (204)	1.69 (43)	.74 (18.8)	1.85 (47)	M12
A10VSO45	9.02 (229)	1.65 (42)	.75 (18.9)	2.09 (53)	M12
A10VSO71	10.51(267)	1.69 (43)	.84 (21.3)	2.40 (61)	M12
A10VSO100	13.31(338)	1.61 (41)	.75 (18.9)	2.56 (65)	M12
A10VSO140	13.78(350)	1.73 (44)	.75 (18.9)	3.03 (77)	M12

K04 FLANGE: SAE-B

Coupling to adapt spline shaft = 1" - 15 teeth 16/32 DP (SAE-BB)



	A1	A2	A3	A4	A5
A10VSO45	9.02 (229)	1.87 (47.5)	.73 (18.4)	2.09 (53)	M10
A10VSO71	10.51(267)	1.87 (47.5)	.82 (20.8)	2.40 (61)	M10
A10VSO100	13.31(338)	1.87 (47.5)	.72 (18.2)	2.56 (65)	M10
A10VSO140	13.78(350)	1.87 (47.5)	.73 (18.4)	3.03 (77)	M10