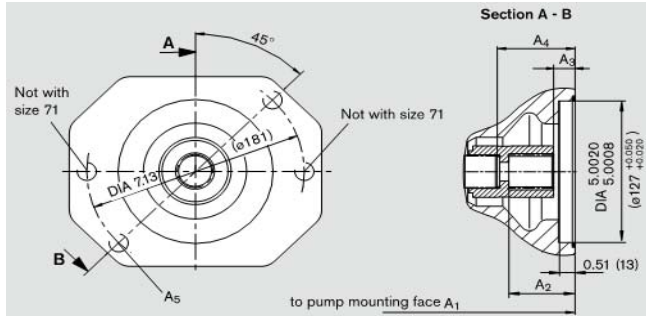


# IFP A10VSO PISTON PUMPS THROUGH DRIVE SPECIFICATIONS



## K07 FLANGE: SAE-C

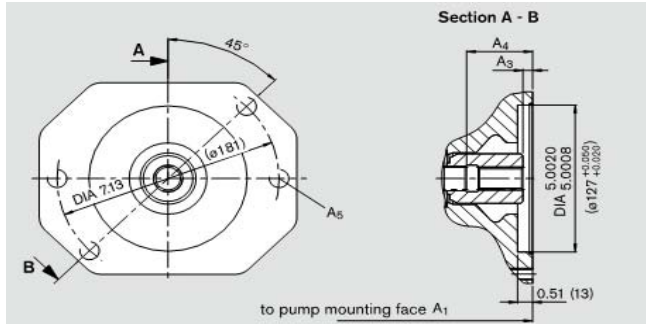
Coupling to adapt spline shaft = 11/4 - 14 teeth 12/24 DP (SAE-C)



	A1	A2	A3	A4	A5
<b>A10VSO71</b>	10.51(267)	2.18 (55.5)	.87 (22)	2.40 (61)	M16
<b>A10VSO100</b>	13.31(338)	2.24 (57)	.75 (18.9)	2.56 (65)	M16
<b>A10VSO140</b>	13.78(350)	2.36 (60)	.75 (18.9)	3.03 (77)	M16

## K24 FLANGE: SAE-C

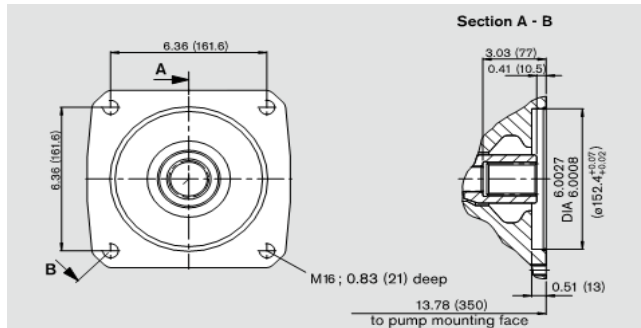
Coupling to adapt spline shaft = 11/2 - 17 teeth 12/24 DP(SAE-CC)



	A1	A2	A3	A4	A5
<b>A10VSO100</b>	13.31(338)		.31 (8)	2.56 (65)	M16
<b>A10VSO140</b>	13.78(350)		.35 (9)	3.03 (77)	M16

## K17 FLANGE: SAE-D

Coupling to adapt spline shaft = 13/4 - 13 teeth 8/16 DP (SAE-D)



	A1	A2	A3	A4	A5
<b>A10VSO140</b>	NOTE: K17 USED A10VSO140 ONLY				

|

|