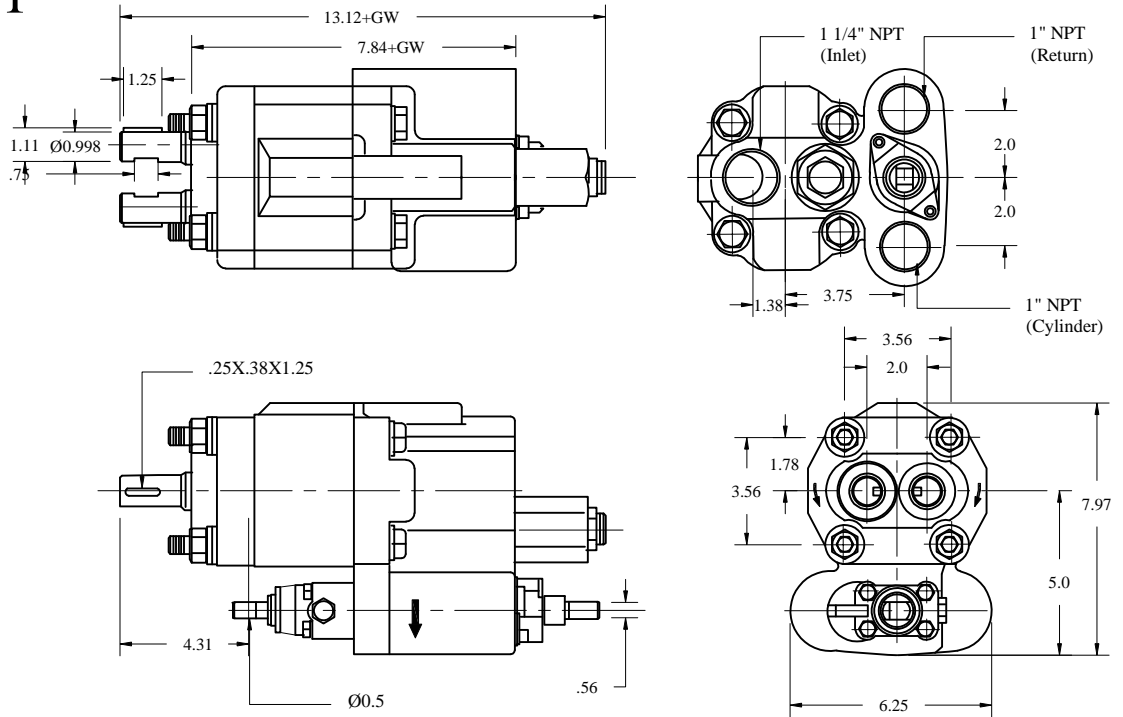


IFP DP101/DP102 CAST IRON PUMP/VALVE DIMENSIONS



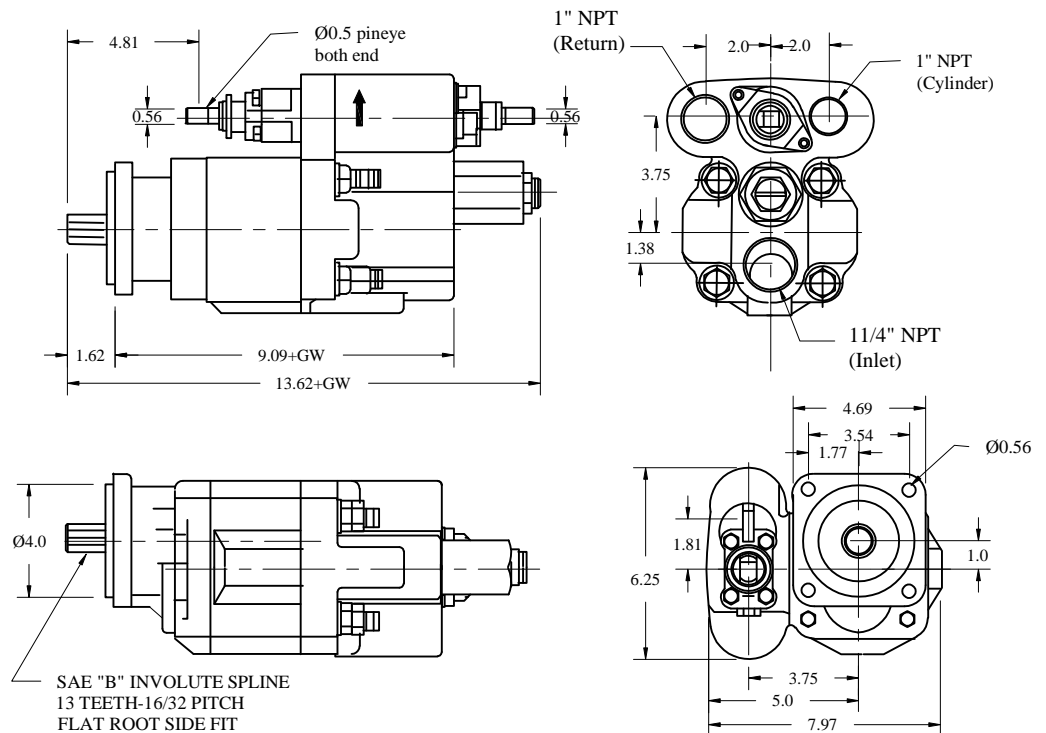
IFP DP101

GEAR WIDTH:
2.0" 2.5"
WEIGHT(lbs):
66 69



IFP DP102

GEAR WIDTH:
2.0" 2.5"
WEIGHT(lbs):
68 71



SAE "B" INVOLUTE SPLINE
13 TEETH-16/32 PITCH
FLAT ROOT SIDE FIT