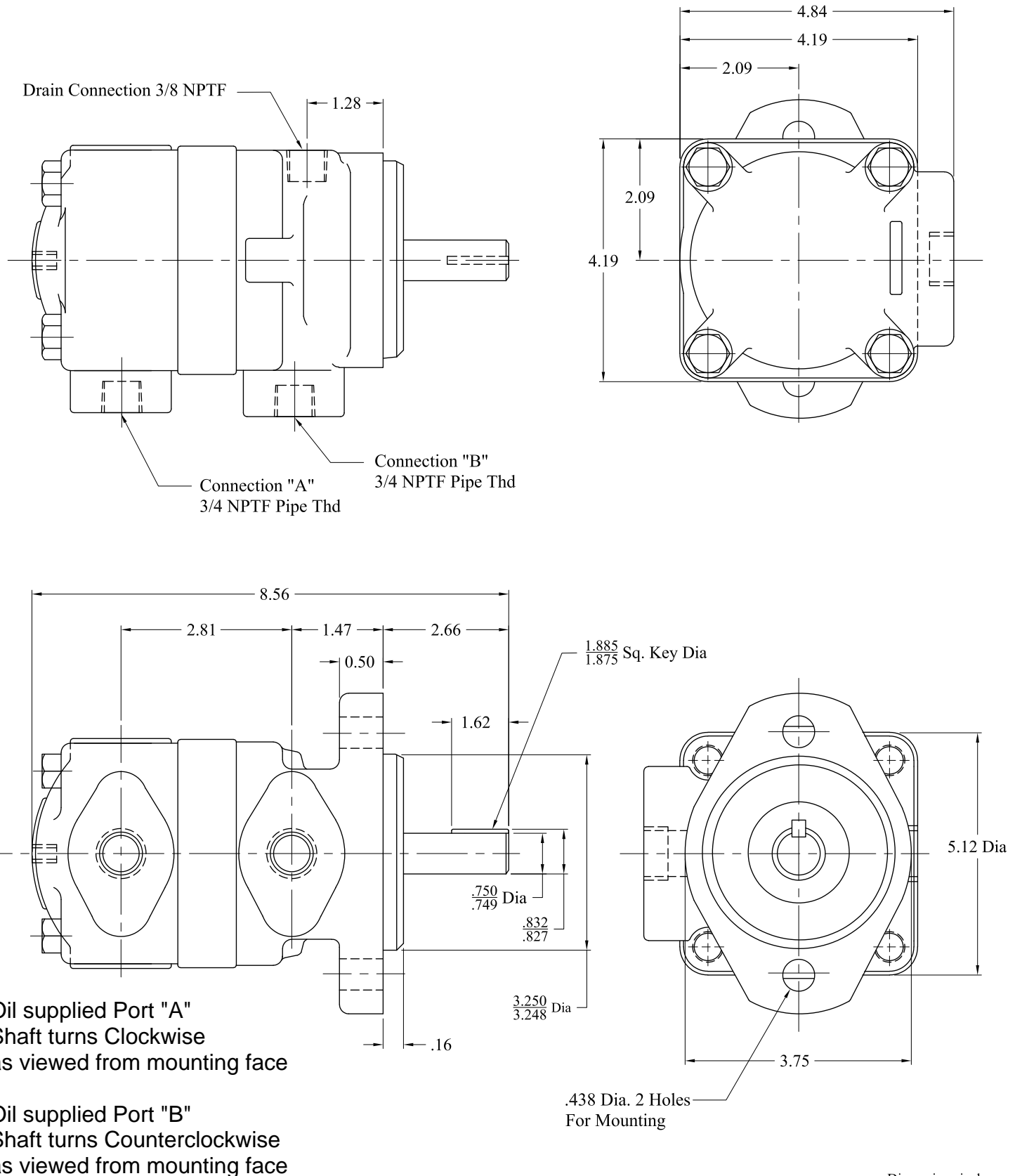


# IFP M2-210 VANE MOTOR DIMENSIONS DRAWING



Dimensions inches