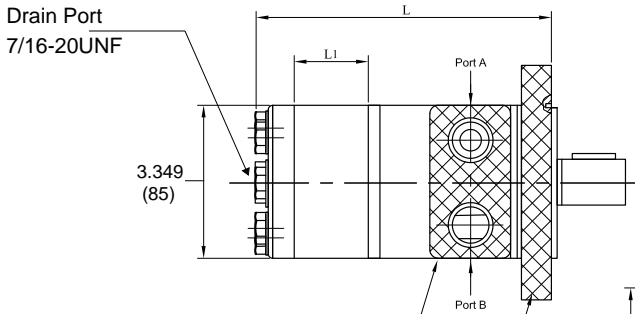
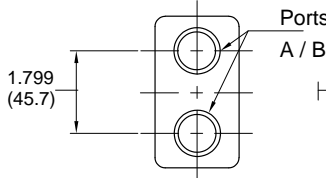


IFP BMG HIGH / TORQUE LOW / SPEED MOTORS



Porting: Threaded

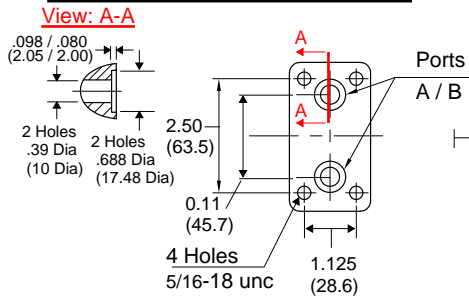


Code: S = A / B ports 7/8-14 UNF

Code: P = A / B ports 1/2 NPTF

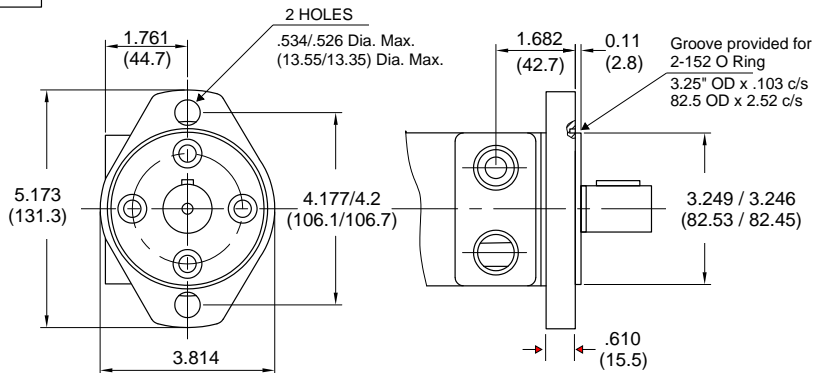
Code: B = A / B ports 1/2 BSP

Porting: Flanged

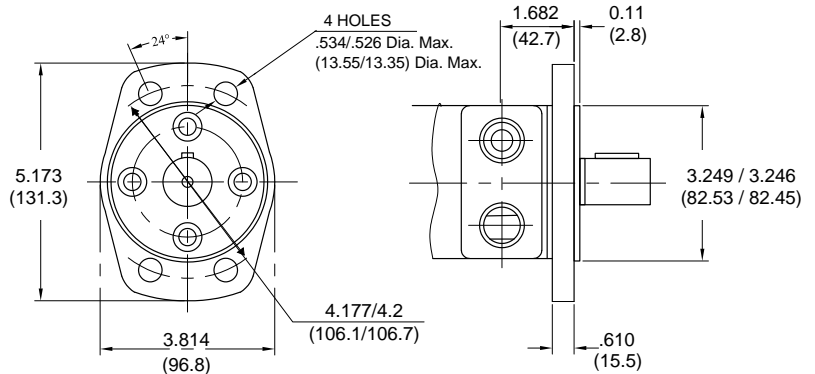


Mounting

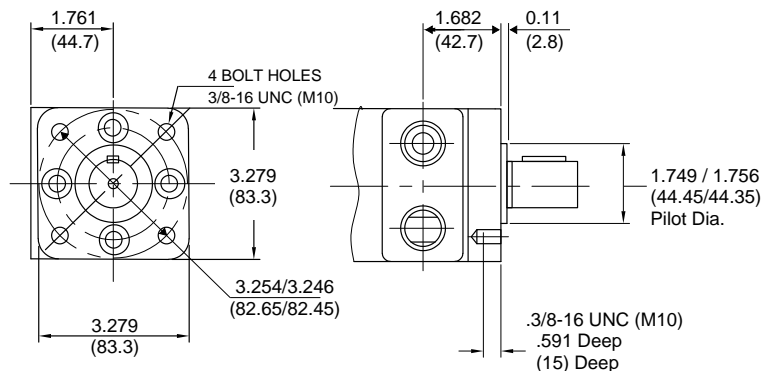
Code: 2
SAE-A 2 Bolt



Code: 6
Magneto Mount / 4 Bolt



Code: 4
Square Mount 4 Bolt



Dimensions: Inches (millimeters)

Code	Dimension L	Dimension: L1
BMG30	5.55 (141)	.27 (7)
BMG49	5.68 (144.5)	.41 (10.5)
BMG61	5.78 (147)	.51 (13)
BMG76	5.90 (150)	.62 (16)
BMG98	6.10 (155)	.82 (21)
BMG122	6.29 (160)	1.02 (26)
BMG152	6.53 (166)	1.25 (32)
BMG192	6.92 (176)	1.65 (42)
BMG244	7.32 (186)	2.04 (52)