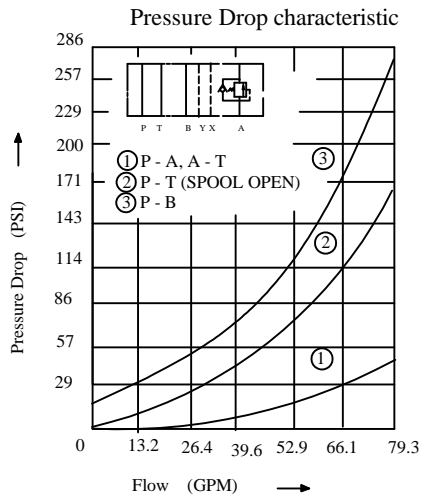


IFP MCB07 COUNTER BALANCE MODULE



PERFORMANCE CURVES Viscosity (100-150 SUS)

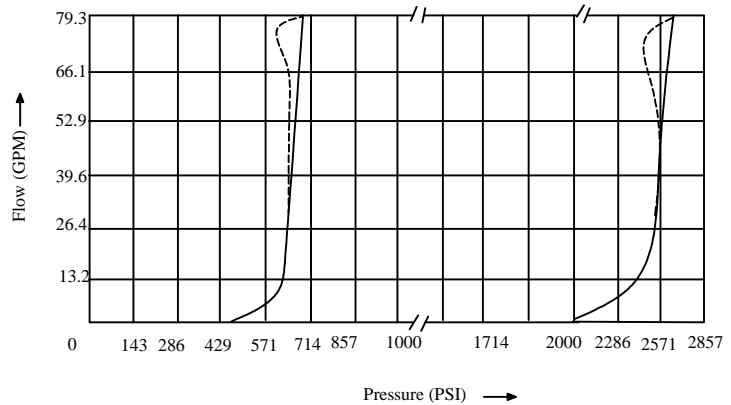
MCB-07-P-*



MCB-07-P-*

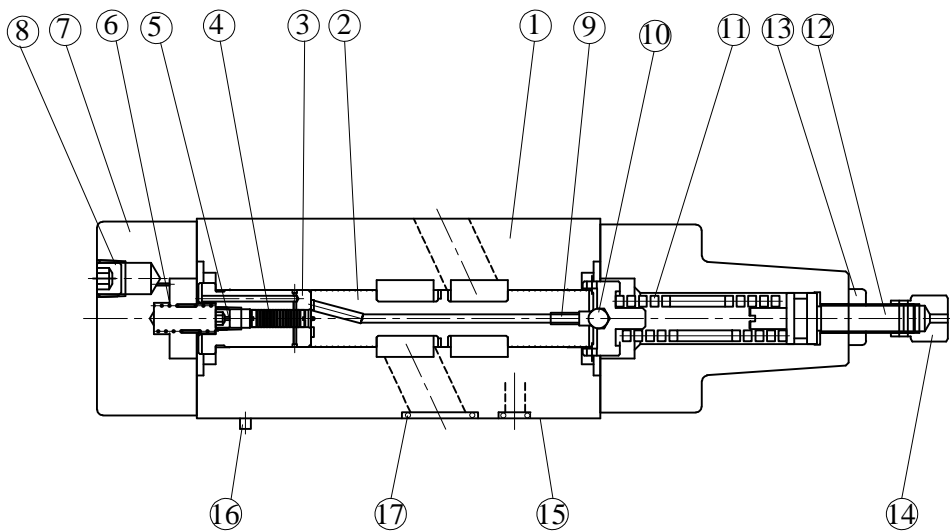
Pressure - Flow characteristic

—— MCB-07-A1-* pressure increasing
- - - - MCB-07-B1-* pressure decreasing



CROSS SECTION DIAGRAM

MCB-07-P-*



NO. DESCRIPTION

1	BODY
2	SPOOL
3	SLEEVE
4	PISTON
5	CHOKE
6	SPRING
7	COVER
8	PLUG
9	CHOKE
10	BALL
11	SPRING
12	SCREW
13	NUT
14	ADJUSTMENT ELEMENT
15	CONNECTIONS
16	PIN
17	O-RING
	PORTS A,B,P,T:AS568-118
	PORTS X,Y:AS568-012