

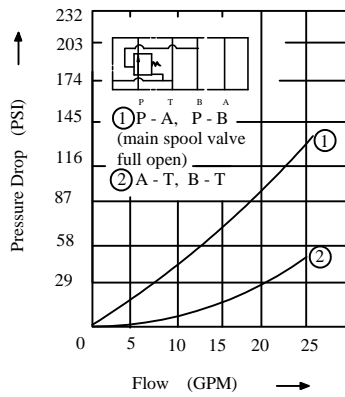
IFP MGV05 PRESSURE REDUCING/ RELIEVING MODULE



PERFORMANCE CURVES Viscosity (100-150 SUS)

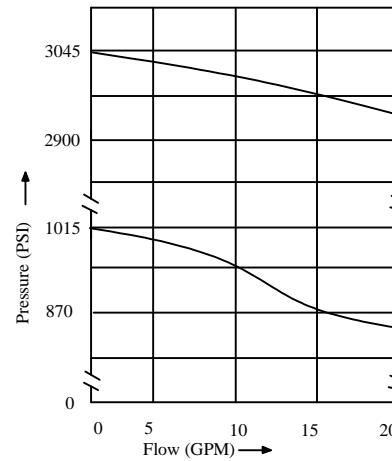
MGV-05-P-1
B

Pressure Drop characteristic



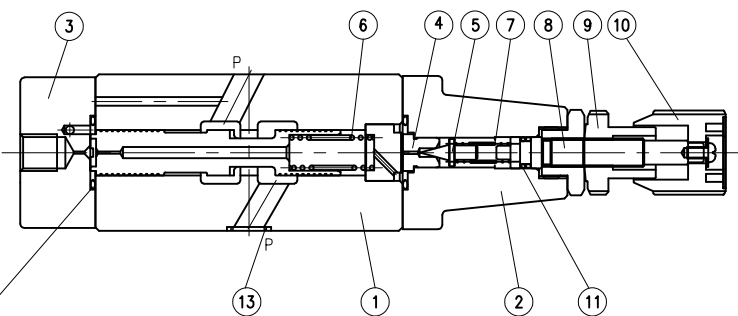
MGV-05-* - 1
3

Pressure - Flow characteristic

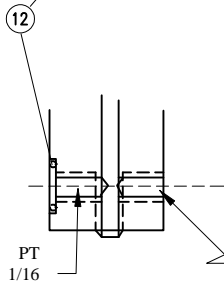


CROSS SECTION DIAGRAM

MGV-05-A-*



NO.	DESCRIPTION
1	BODY
2	COVER
3	COVER
4	SEAT
5	POPPET
6	AJUSTMENT SPRING 1
7	AJUSTMENT SPRING 2
8	SETTING SCREW
9	LOCKING NUT
10	AJUSTMENT ELEMENT
11	O-RING
12	O-RING
13	O-RING



NO.	PARTS NAME	PARTS NO.	Q'TY
12	O-RING	P8, 70°	1
13	O-RING	P22, 90°	2
14	O-RING	AS-568-014	5

PT
1/16

DRAIN PORT PT 1/8