

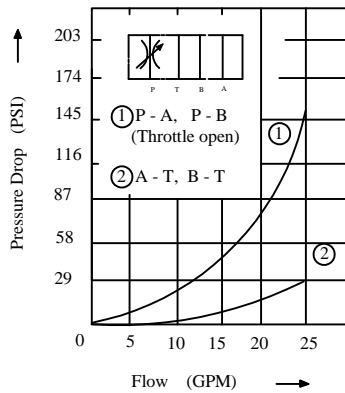
IFP MTV05 FLOW REGULATOR MODULE



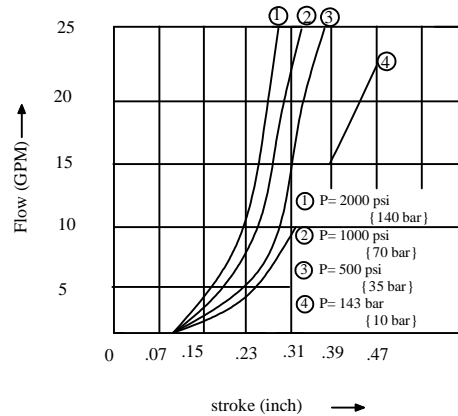
PERFORMANCE CURVES Viscosity (100-150 SUS)

MTV-05-P

Pressure Drop characteristic

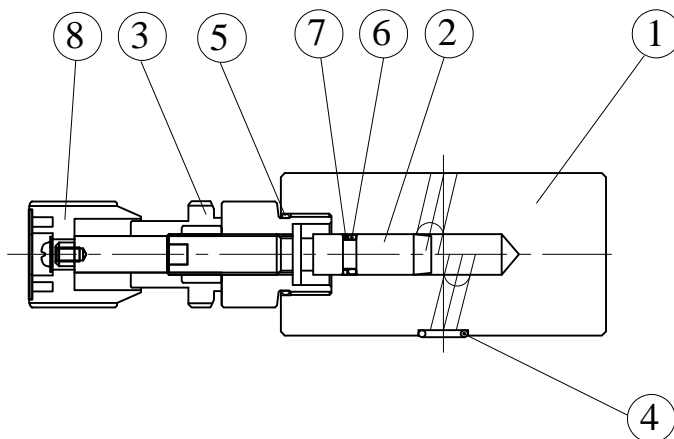


Stroke - Flow characteristic
MTV-05-P



CROSS SECTION DIAGRAM

MTV-05-P



NO.	PARTS NAME
1	BODY
2	SCREW
3	RETAINER
4	O-RING
5	O-RING
6	O-RING
7	BACK-UP RING
8	AJUSTMENT ELEMENT

NO.	PARTS NAME	PARTS NO.	QTY
4	O-RING	AS-568-014	5
5	O-RING	P22, 90°	1
6	O-RING	P10, 70°	1