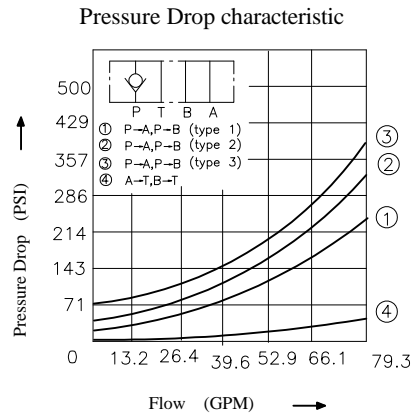


# IFP MCV07 CHECK VALVE MODULE

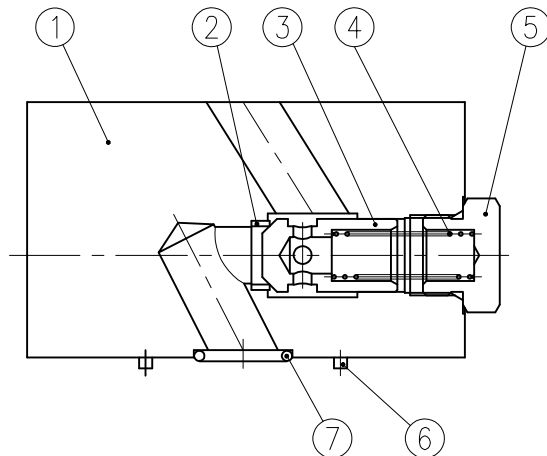


## **PERFORMANCE CURVES** Viscosity (100-150 SUS)



## **CROSS SECTION DIAGRAM**

MCV-07-\*-\*



NO.	DESCRIPTION
1	Body
2	Seat
3	Poppet
4	Spring
5	Nut
6	Pin
7	O-ring
	PORTS A,B,P,T: AS568-118
	PORTS X, Y: AS568-012