

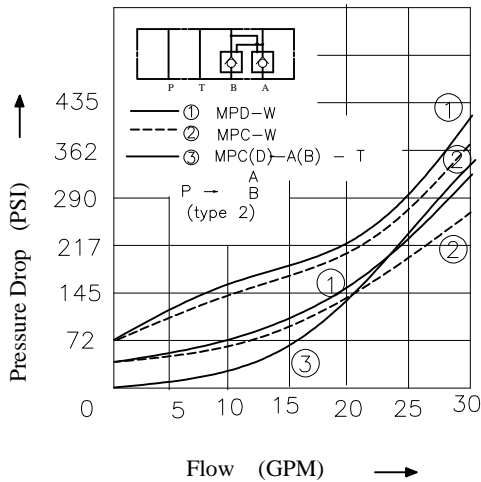
IFP MPC(D)05 PILOT CHECK VALVE MODULE



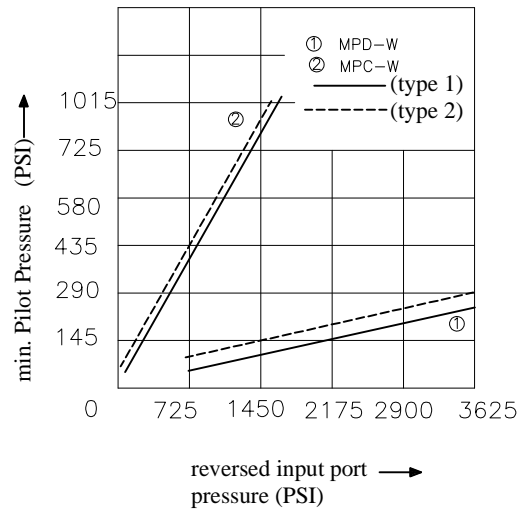
PERFORMANCE CURVES Viscosity (100-150 SUS)

MPC(D)-05-W-1

Pressure Drop characteristic

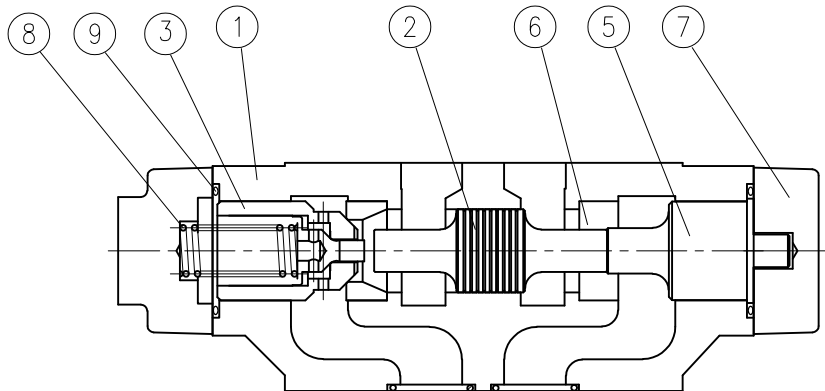


min. Pilot Pressure characteristic

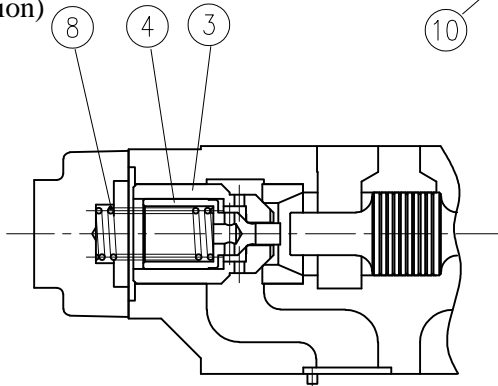


CROSS SECTION DIAGRAM

MPC-05-A-1



MPD-05-A-1
(Decompression)



NO.	DESCRIPTION	PART NO.	QTY
1	Body		
2	Piston		
3	Poppet		
4	Poppet		
5	Bushing		
6	Seat		
7	Cover		
8	Spring		
9	O-ring	P29, 90	2
10	O-ring	AS-568-014	5