

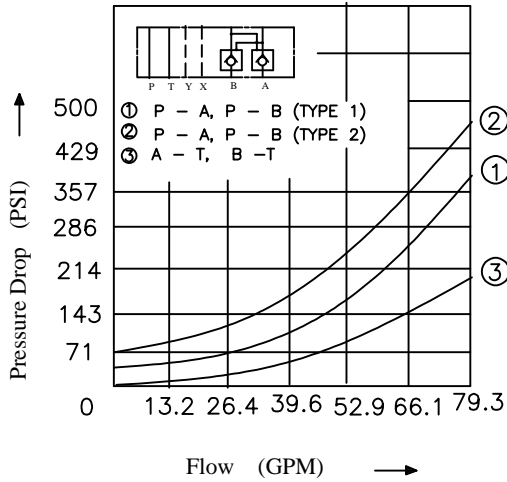
# IFP MPD07 PILOT CHECK MODULE



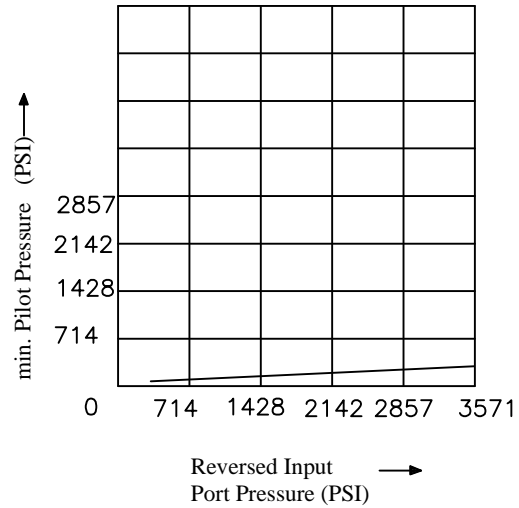
## PERFORMANCE CURVES Viscosity (100-150 SUS)

MPD-07-W-\*

Pressure Drop characteristic

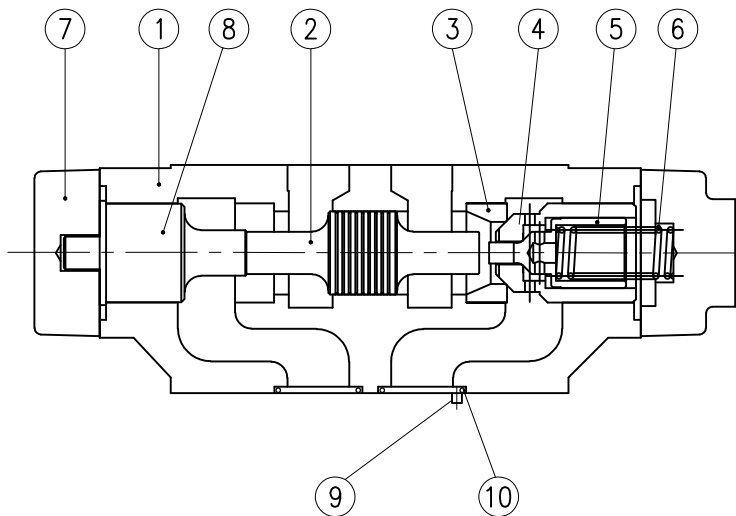


min. Pilot Pressure characteristic



## CROSS SECTION DIAGRAM

MPD-07-A-1



NO.	DESCRIPTION
1	Body
2	spool
3	Seat
4	Poppet
5	Poppet
6	Spring
7	Cover
8	Bushing
9	Pin
10	O-Ring : Ports A, B, P, T: AS568-118 Ports X,Y: AS568-012