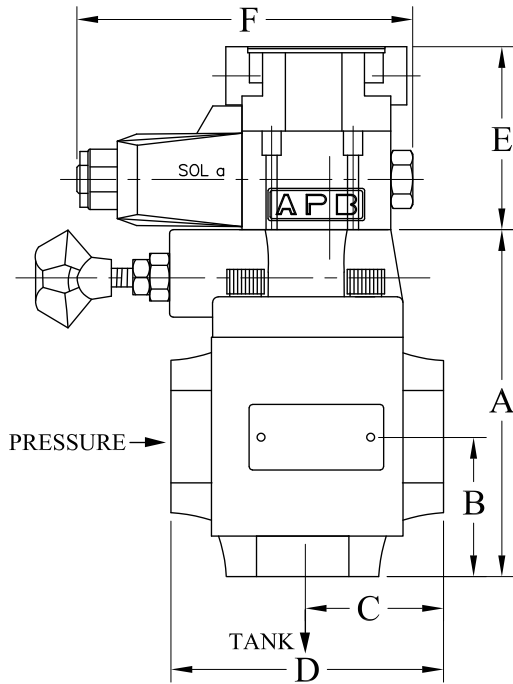


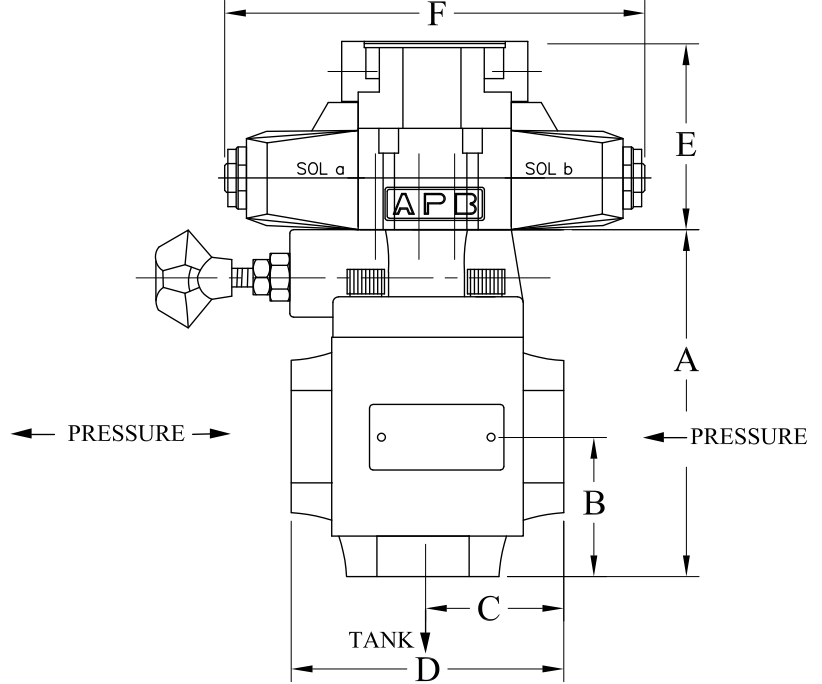
IFP CT 5-10 ELECTRICAL PILOT RELIEFS INSTALLATION DIMENSIONS



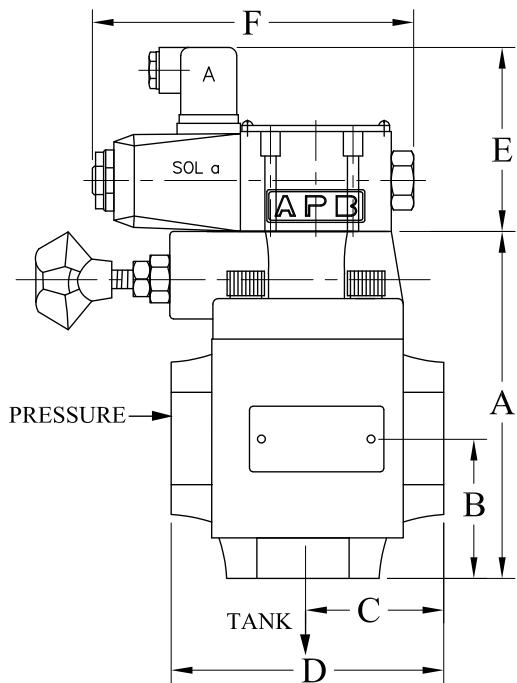
Drawing A



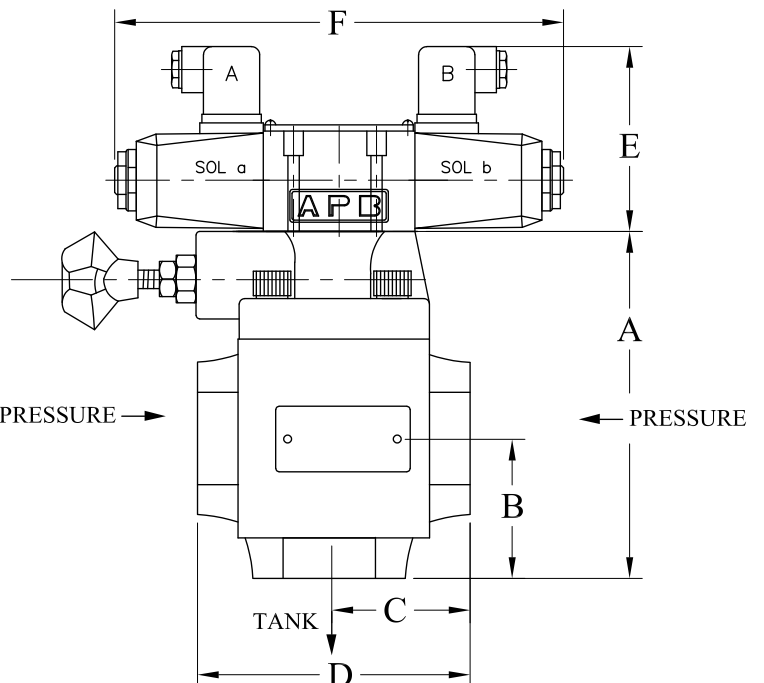
Drawing B



Drawing C



Drawing D



Drawing A - WB wiring Box
- Pilot Spool 0B/1A/2B/0F

Drawing B - WB wiring Box
- Pilot Spool 0C/2C

Drawing C - DN - Din Connector
- Pilot Spool 0B/1A/2B/0F

Drawing D - DN - Din Connector
- Pilot Spool 0C/2C

Optional Ports

CT5 - 10 = 1 1/4 NPTF
CS5 - 10 = 1.6250 - 12 Straight thread

| | A | B | C | D | E | F |
|-----------|------|------|------|------|------|------|
| Drawing A | 6.18 | 2.43 | 2.44 | 4.88 | 3.38 | 6.42 |
| Drawing B | 6.18 | 2.43 | 2.44 | 4.88 | 3.38 | 8.26 |
| Drawing C | 6.18 | 2.43 | 2.44 | 4.88 | 3.07 | 6.20 |
| Drawing D | 6.18 | 2.43 | 2.44 | 4.88 | 3.07 | 8.26 |

Dimensions in inches