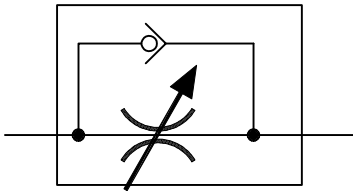


# IFP FLOW CONTROL VALVES

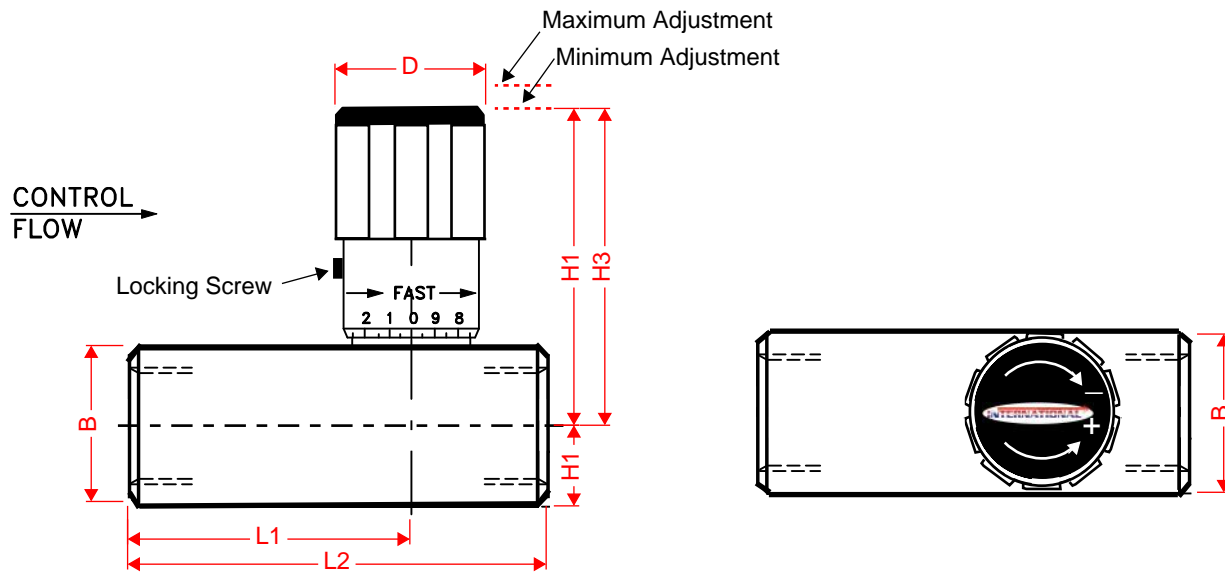


- Designed for extremely precise control of air and hydraulic fluids
- Max pressure 5000 PSI
- All metal construction
- Micrometer knob with easy to read bands
- Temperature -20° F to 400° F



Dimensions: Inches(millimeters)

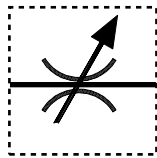
Model Code	Flow GPM(L/M)	Port Size	B	D	H1	H2	H3	L1	L2
FCI-02	5 (19)	1/4 NPTF	1.10(28)	1.18(30)	.55 (14)	2.42(61.3)	2.67(67.9)	1.54(39)	2.51(64)
FCI-03	8 (30)	3/8 NPTF	1.10(28)	1.18(30)	.55 (14)	2.42(61.3)	2.67(67.9)	1.64(36)	2.75(58)
FCI-04	15 (57)	1/2 NPTF	1.50(38)	1.46(37)	.75 (19)	3.07(78.1)	3.40(86.5)	2.04(36)	3.26(58)
FCI-06	25 (95)	3/4 NPTF	1.50(38)	1.46(37)	.75 (19)	3.07(78.1)	3.40(86.5)	2.18(36)	3.50(58)
FCI-08	40 (151)	1 NPTF	1.88(48)	1.89(48)	.94 (24)	4.03(102)	4.50(114)	2.78(36)	4.60(58)
FCI-10	70 (265)	1 1/4 NPTF	2.36(60)	1.89(48)	1.18 (30)	5.30(134)	5.83(148)	3.81(36)	6.06(58)
FCI-12	100(379)	1 1/2 NPTF	2.75(70)	3.15(80)	1.38 (35)	6.35(161)	7.15(181)	4.37(36)	6.77(58)
FCI-16	150(568)	2 NPTF	3.54(90)	3.15(80)	1.77 (45)	6.75(171)	7.54(191)	5.07(36)	7.48(58)



# IFP NEEDLE VALVES



- Adjustments can be made under pressure
- Max pressure 5000 PSI
- All metal construction
- Micrometer knob with easy to read bands & fine metering
- Temperature -20° F to 400° F



Dimensions: Inches (millimeters)

Model Code	Flow GPM(L/M)	Port Size	B	D	H1	H2	H3	L1	L2
NVI-01	5 (19)	1/8 NPTF	1.10(28)	1.18(30)	.55 (14)	2.32(59.3)	2.46(64.8)	1.02(26)	1.89(48)
NVI-02	5 (19)	1/4 NPTF	1.10(28)	1.18(30)	.55 (14)	2.42(61.3)	2.67(67.9)	1.10(28)	2.12(54)
NVI-03	8 (30)	3/8 NPTF	1.10(28)	1.18(30)	.55 (14)	2.42(61.3)	2.67(67.9)	1.10(28)	2.12(54)
NVI-04	15 (57)	1/2 NPTF	1.50(38)	1.46(37)	.75 (19)	3.07(78.1)	3.40(86.5)	1.34(34)	2.67(68)
NVI-06	25 (95)	3/4 NPTF	1.50(38)	1.46(37)	.75 (19)	3.07(78.1)	3.40(86.5)	1.54(39)	3.07(78)
NVI-08	40 (151)	1 NPTF	1.88(48)	1.89(48)	.94 (24)	4.03(102)	4.50(114)	1.80(46)	3.62(92)

