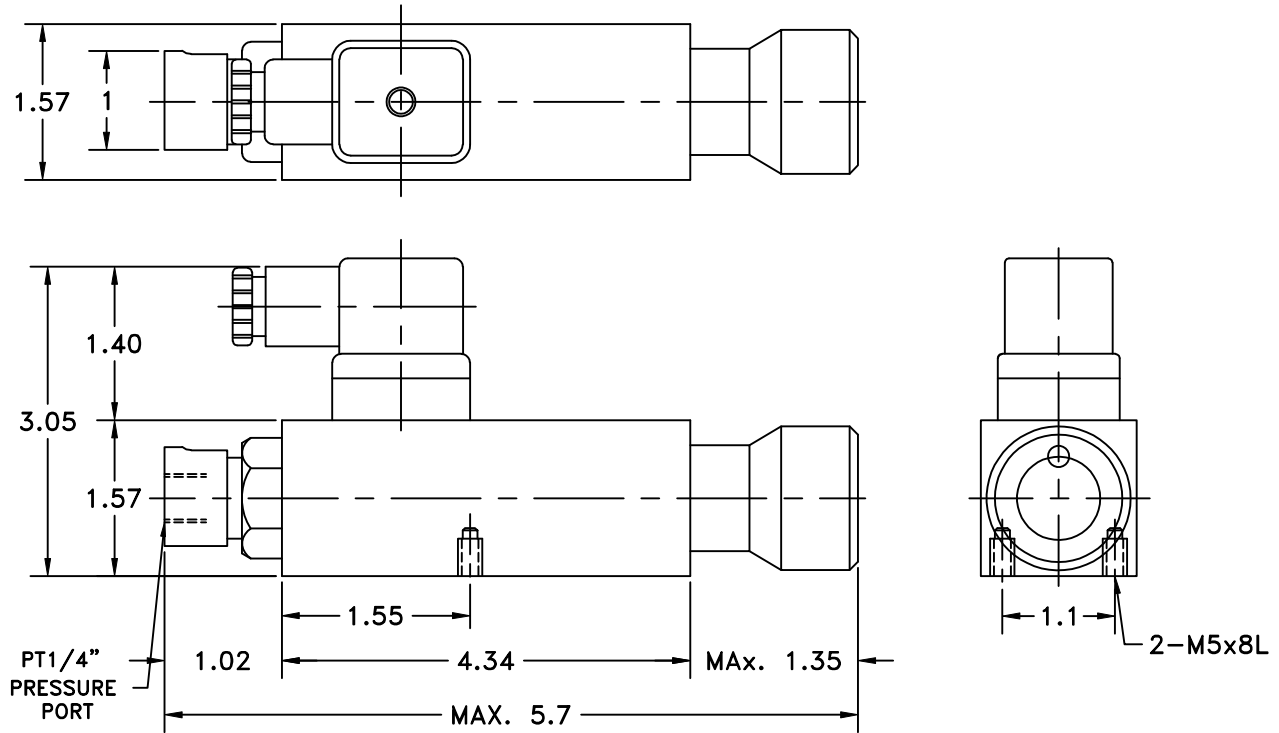


PRESSURE SWITCHES



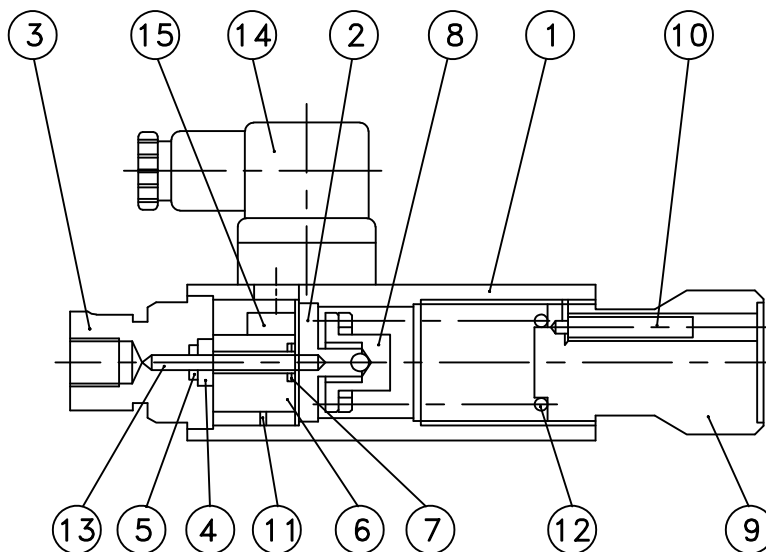
DIMENSIONS (inches)

PS-02-*10



CROSS SECTION DIAGRAM

PS-02-*--10



NO.	DESCRIPTION
1	Body
2	Retainer (1)
3	Nut
4	Set Nut
5	Rod seal
6	Guider
7	Retainer (2)
8	Adjust Screw
9	Set screw
10	Locking screw
11	Spring pin
12	Spring
13	Rod
14	Connector
15	Micro switch