

PRESSURE SWITCHES SW-02-4-20

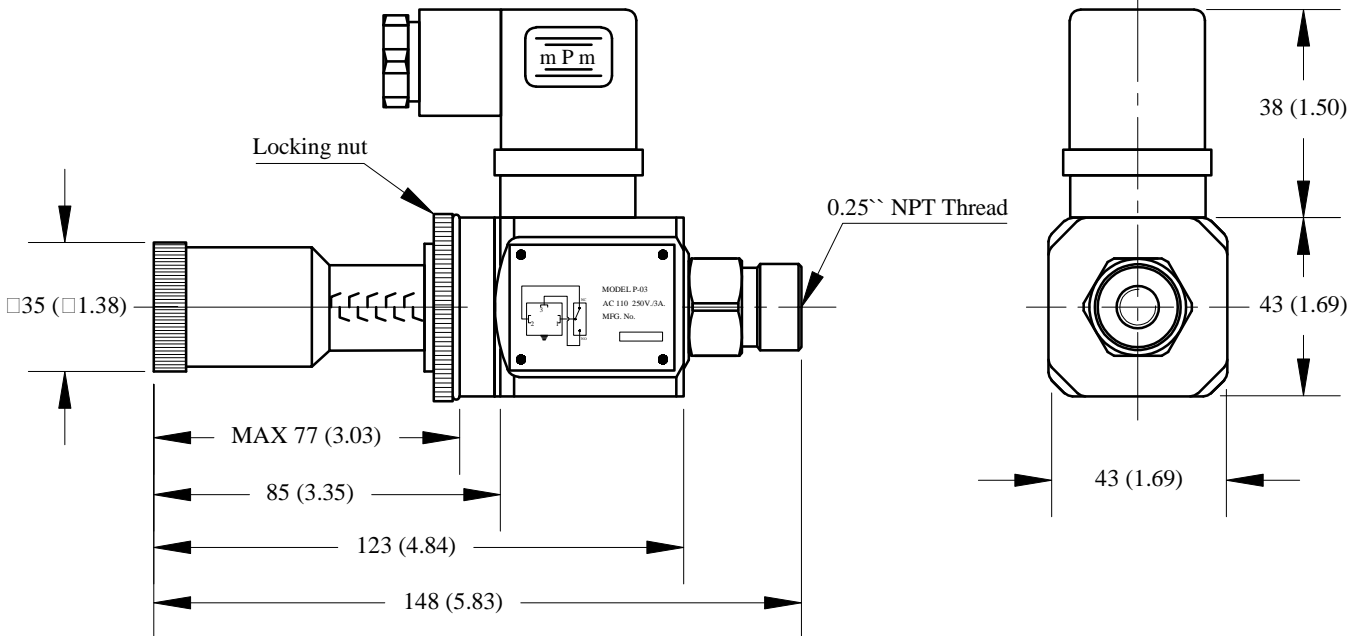
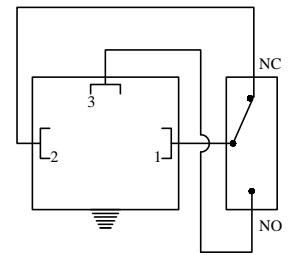
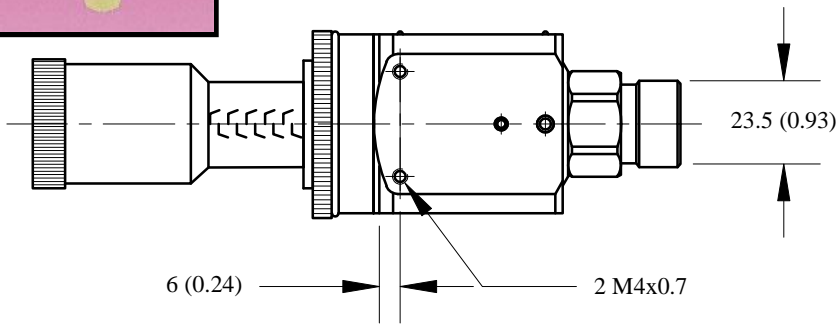


FEATURES:

- Economical
- High Pressure Ratings
- Wide Adjustment Range
- Low Differential
- Graduated Micrometer Adjustment
- Compact Design
- Locking nut for panel mount

APPLICATIONS:

- Automated Circuit Control
- System Alarm
- Pilot Light Activation
- System Overload Protection



Model	Valve Size	Pressure Range	Electrical rating
SW02-1-22	1/4"	75 - 900 PSI (5-60 bar)	DC24 Volt AC110 -250 Volt 3 AMP
SW02-2-22	1/4"	200 -900 PSI (15-60 bar)	
SW02-3-22	1/4"	450-3000 PSI (30-210 bar)	
SW02-4-22	1/4"	725-5000 PSI (50-350 bar)	