

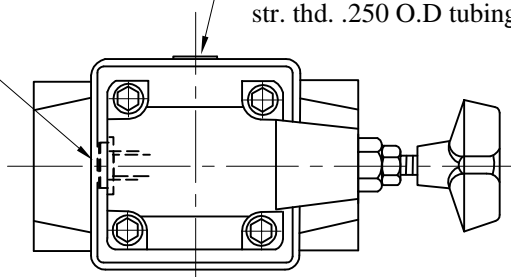
# IFP CT10/CS10 THREADED RELIEF VALVE INSTALLATION DIMENSIONS



## DIMENSION (inches)

Vent connection  
0.5625-18UNF-2B str. thd.  
0.375 O.D tubing

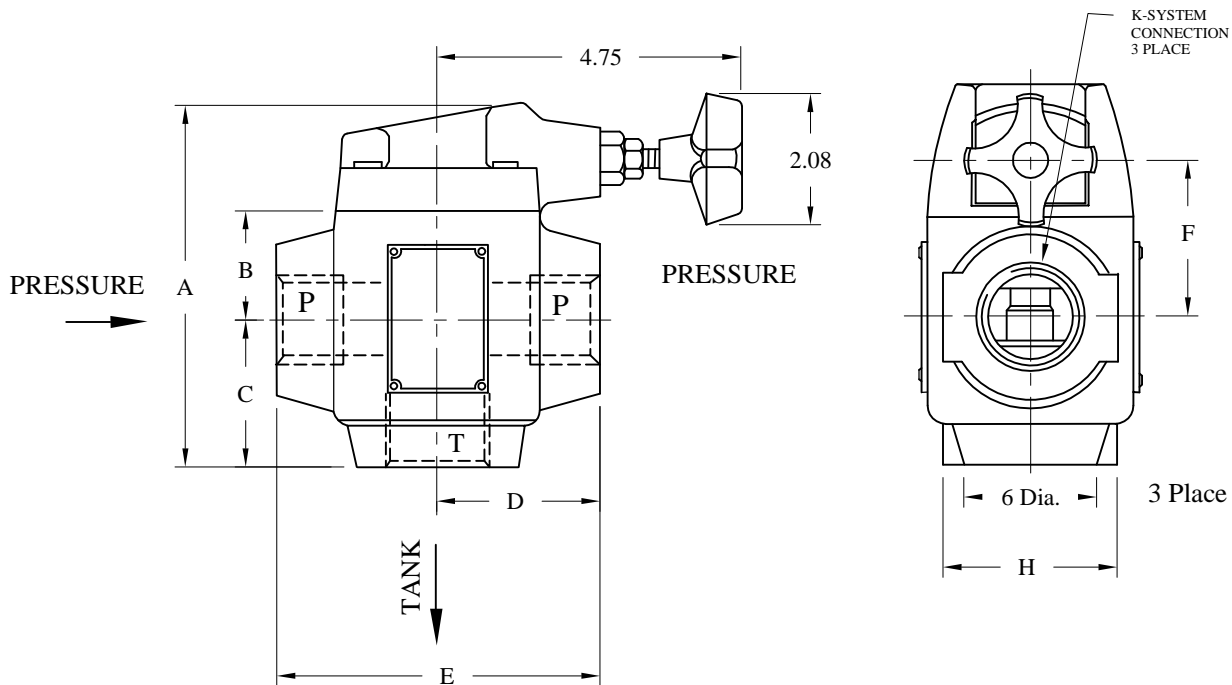
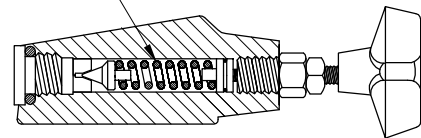
Pilot or pressure gauge connection  
(if required) .4376-20UNF-2B  
str. thd. .250 O.D tubing



SPRING Table A

Code	Part number	Pressure
A	610-1	100 - 1000 PSI
B	610-2	500 - 2000 PSI
C	610-3	1500 - 3000 PSI

SPRING  
see table A



Model series	A	B	C	D	E	F	G	H	I	J
CT/S-10	6.18	1.62	2.43	2.44	4.88	2.61	2.43	2.75	3.06	1.68

P - System Connections	
CS - 10 Models	CT - 10 Models
1.6250 - 12 UN - 2 B Thd. (1.250 O. D Tubing )	1 1/4 NPTF Thread.