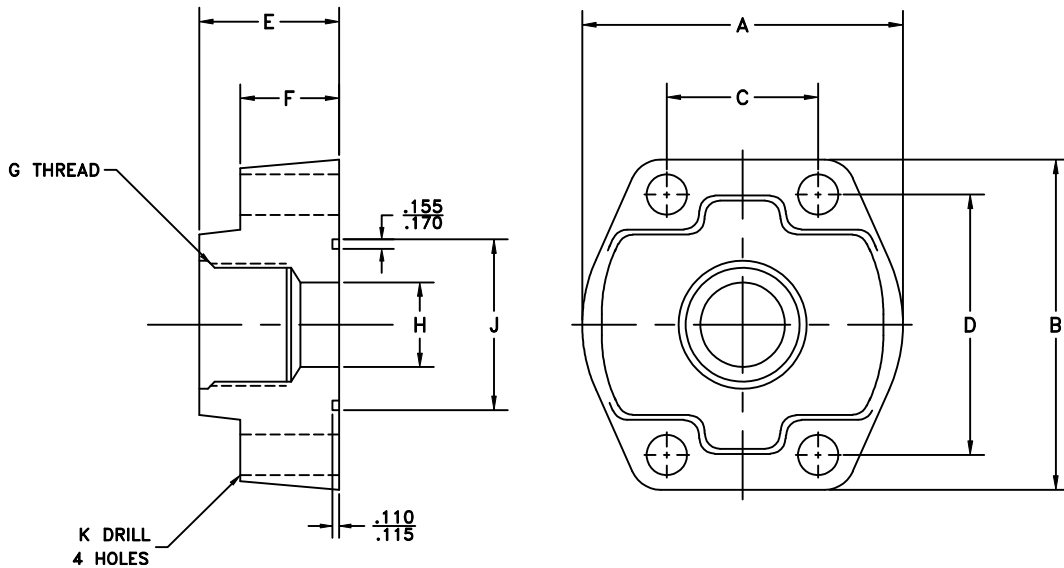


IFP S.A.E. 4 BOLT FLANGE FITTINGS



| 3000 PSI NPTF THREAD | | | | | | | | | | | | | | | |
|----------------------|-----------|------|------|-------|-------|------|------|-------------|------|--------|--------|--------------|---------------------|----------------|--------|
| PART NO. | PIPE SIZE | A | B | C | D | E | F | G THR. NPTF | H | J MIN. | J MAX. | K DRILL DIA. | BOLTS(ALLEN) 4 REQ. | WASHERS 4 REQ. | O RING |
| FLI-06PE | .75 | 2.06 | 2.56 | .875 | 1.875 | 1.25 | .84 | .75 | .75 | 1.250 | 1.255 | .406 | 3/8-1 1/2" | 3/8" | 2-214 |
| FLI-08PE | 1.00 | 2.31 | 2.75 | 1.031 | 2.062 | 1.38 | .97 | 1.00 | 1.00 | 1.560 | 1.565 | .406 | 3/8-1 1/2" | 3/8" | 2-218 |
| FLI-10PE | 1.25 | 2.88 | 3.12 | 1.188 | 2.312 | 1.50 | 1.03 | 1.25 | 1.25 | 1.750 | 1.755 | .469 | 7/16-1 3/4" | 7/16" | 2-222 |
| FLI-12PE | 1.50 | 3.25 | 3.69 | 1.406 | 2.750 | 1.62 | 1.09 | 1.50 | 1.50 | 2.115 | 2.125 | .531 | 1/2-2" | 1/2" | 2-225 |
| FLI-16PE | 2.00 | 3.81 | 4.00 | 1.688 | 3.062 | 1.62 | 1.09 | 2.00 | 2.00 | 2.490 | 2.500 | .531 | 1/2-2" | 1/2" | 2-228 |
| FLI-20PE | 2.50 | 4.28 | 4.50 | 2.000 | 3.500 | 2.00 | 1.47 | 2.50 | 2.50 | 2.995 | 3.005 | .531 | 1/2-2 1/2" | 1/2" | 2-232 |
| FLI-24PE | 3.00 | 5.16 | 5.31 | 2.438 | 4.188 | 2.25 | 1.59 | 3.00 | 3.00 | 3.615 | 3.625 | .656 | 5/8 - 2 3/4" | 5/8" | 2-237 |

Code 61 design

Supplied complete with mounting hardware
(O-ring, Socket Head Cap Screw & Hi- Collar Lock Washer)