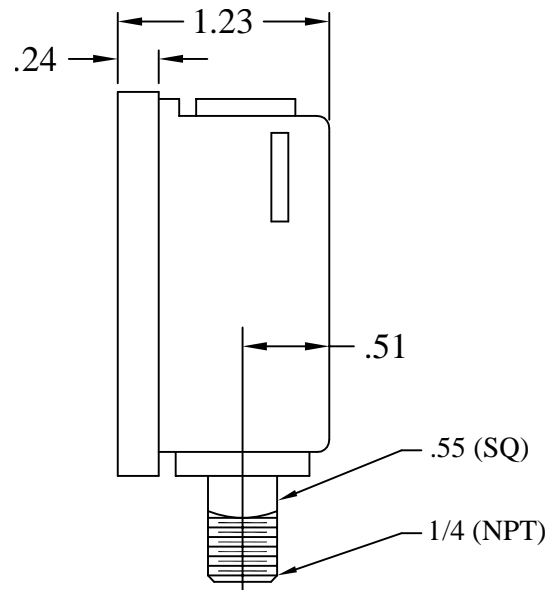
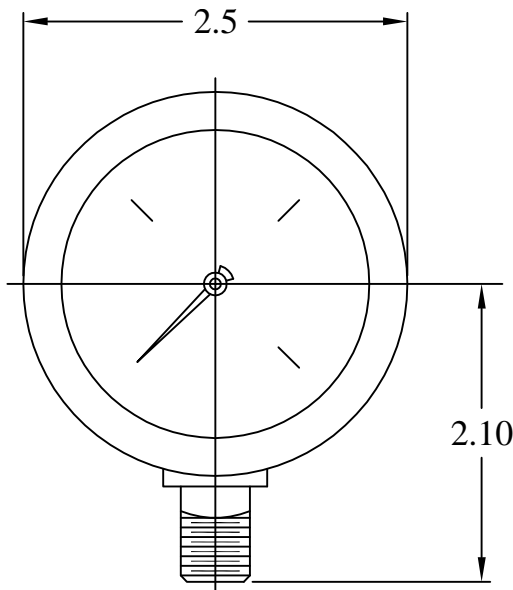
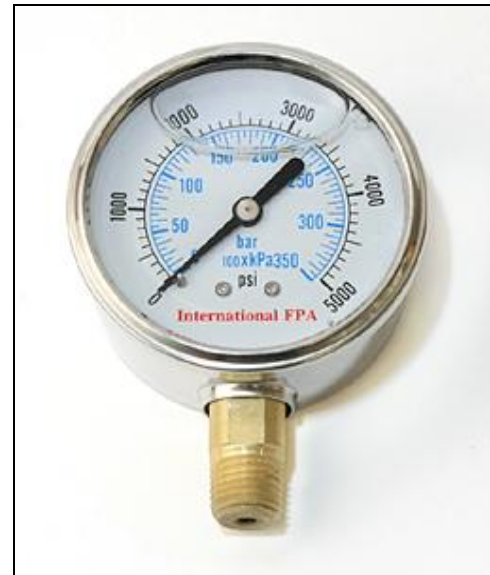


IFP PRESSURE GAUGES



- Glycerin filled
- Stainless Steel Body
- Aluminum Dial
- Dual Scale PSI/Bar
- Bronze bourdon tube
- 1/4 NPT Bottom Connection
- c/w .5mm internal gauge snubber
- Precision $\pm 2\%$ @ 23° F
- 2 1/2" Diameter dial



Available on Request

Model Code	Range
IPG 1	0-30 in hg
IPG 4	0-60 PSI
IPG 5	0-100 PSI
IPG 6	0-160 PSI
IPG 7	0-200 PSI
IPG 10	0-600 PSI
IPG 12	0-1,500 PSI

Standard Stock

Model Code	Range
IPG 8	0-300 PSI
IPG 11	0-1,000 PSI
IPG 13	0-2,000 PSI
IPG 14	0-3,000 PSI
IPG 15	0-5,000 PSI
IPG 17	0-10,000 PSI