

IFP LGI5T-22 LEVEL/ TEMPERATURE GAUGES



Application

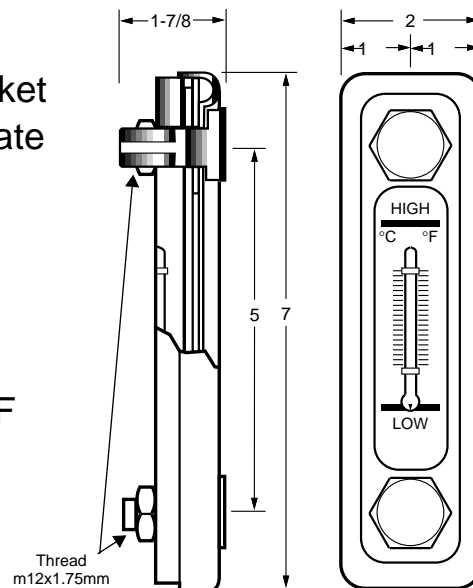
LGI-5T-22 Level/Temperature gauges are used on reservoirs & tanks for visual indication of oil level and temperature. LGI-5T-22 can be installed from either outside or inside the reservoir. Installation requires only two mounting holes.



TECHNICAL DATA FOR SIGHT LEVEL GAUGES

Features

- Comes complete with neoprene gasket & mounting bolts. Ready for immediate installation
- Extra large sight glass.
- Thermometer has readings in Centigrade and Fahrenheit
- Can withstand temperatures to 225°F



Drill 1/2" Holes 2
Places on 5" Center