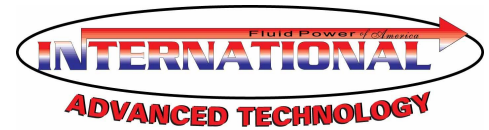


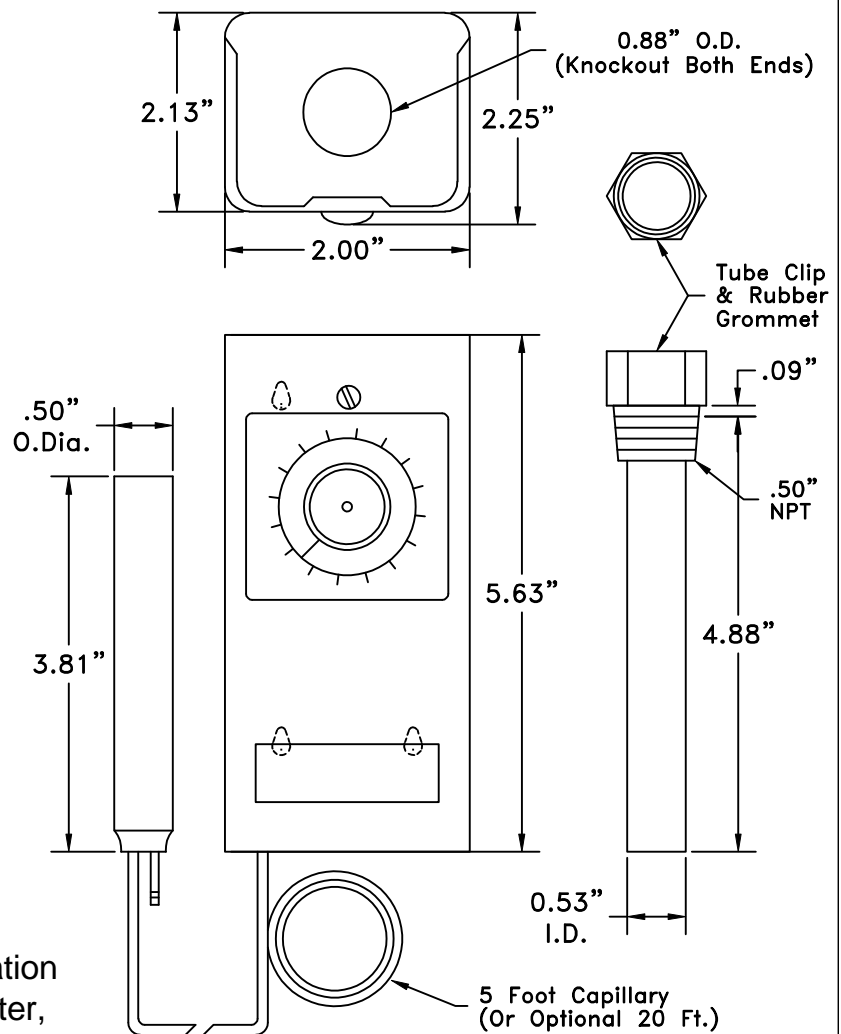
# IFP ELECTRICAL / TEMPERATURE CONTROLLER



- 1 single-pole, double-throw (spdt) switch that breaks R-B and makes R-W at the set point on a temperature rise.
- Available with an adjustable differential.
- Easily adjustable set point adjustment knob on front of case.
- Capillary tubing allows remote mounting of sensing element; models available with various lengths.
- Available with a fast-response sensing element.
- Controller can be mounted in any position.

## SPECIFICATIONS :

- A) Material: Copper  
 B) Power Limits:
- 1) For three phase, motor operation use only with a magnetic starter, 125 VA max.  
(VA = volts x amps)
  - 2) For pilot duty, 125 VA max.
  - 3) For direct connection to motor:  
 120v AC/8.0 amps max  
 230v AC/5.1 amps max  
 277v AC/4.2 amps max  
 460v AC/2.0 amps max
  - 4) Temperature operating range:  
 15°C to 75°C.



## APPLICATIONS (Temperature Controller)

The unit acts as an automatic electric power switch temperature control with on-off adjustable differential of 6°C, for use with electric motor, fan type air/oil coolers, or oil temperature signal.

PART #	DESCRIPTION
T675A	Insertion thermostat SPDT switch adj. differential 5 Ft copper element +15°C to +75°C
310-2005	Bulbwell