

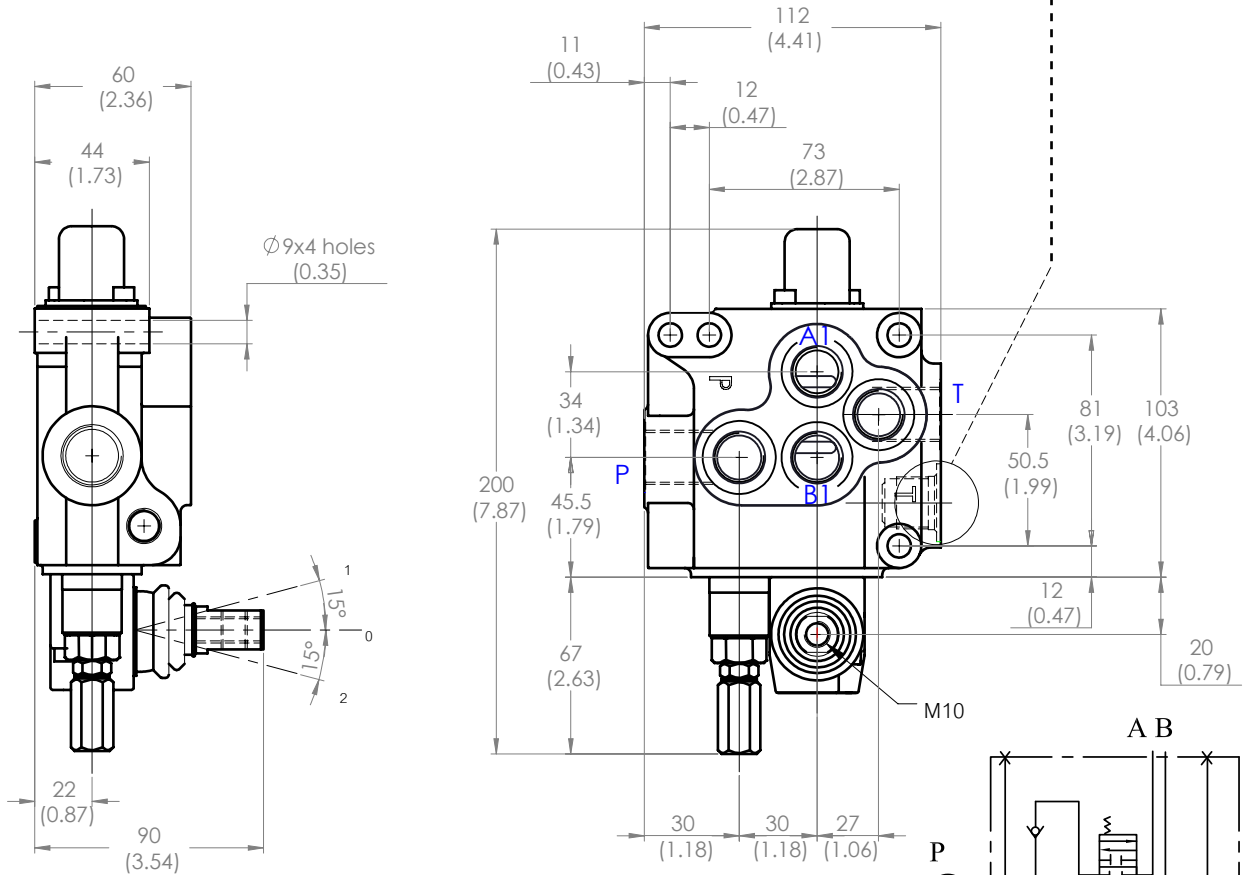
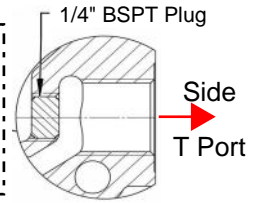
IFP MD20-DESIGN "73" Manually Operated Monoblock Valve "Single Spool"



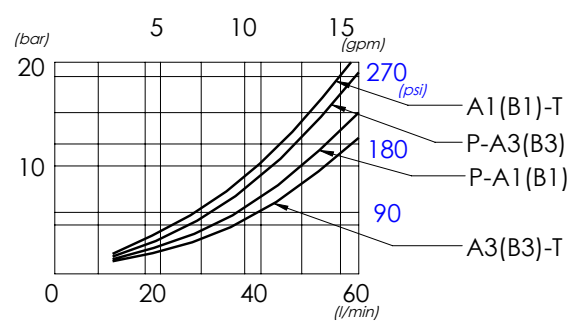
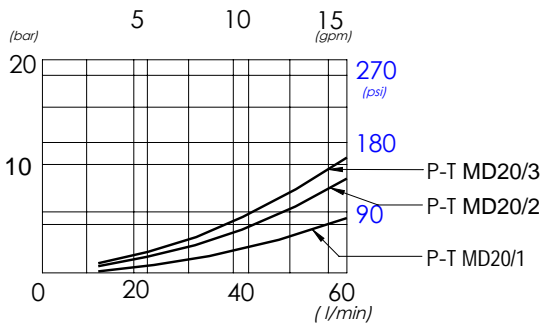
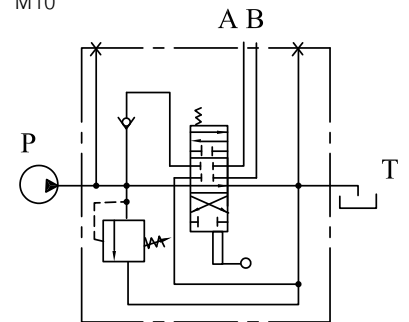
Dimensions: mm (Inches)

Power Beyond Conversion:
Insert 1/4 plug / Use Side tank port as power beyond port

Closer center Conversion:
Insert 1/4 plug / Plug Side tank port



Weight 7.9 lbs(5.1 kg)



PRESSURE DROP