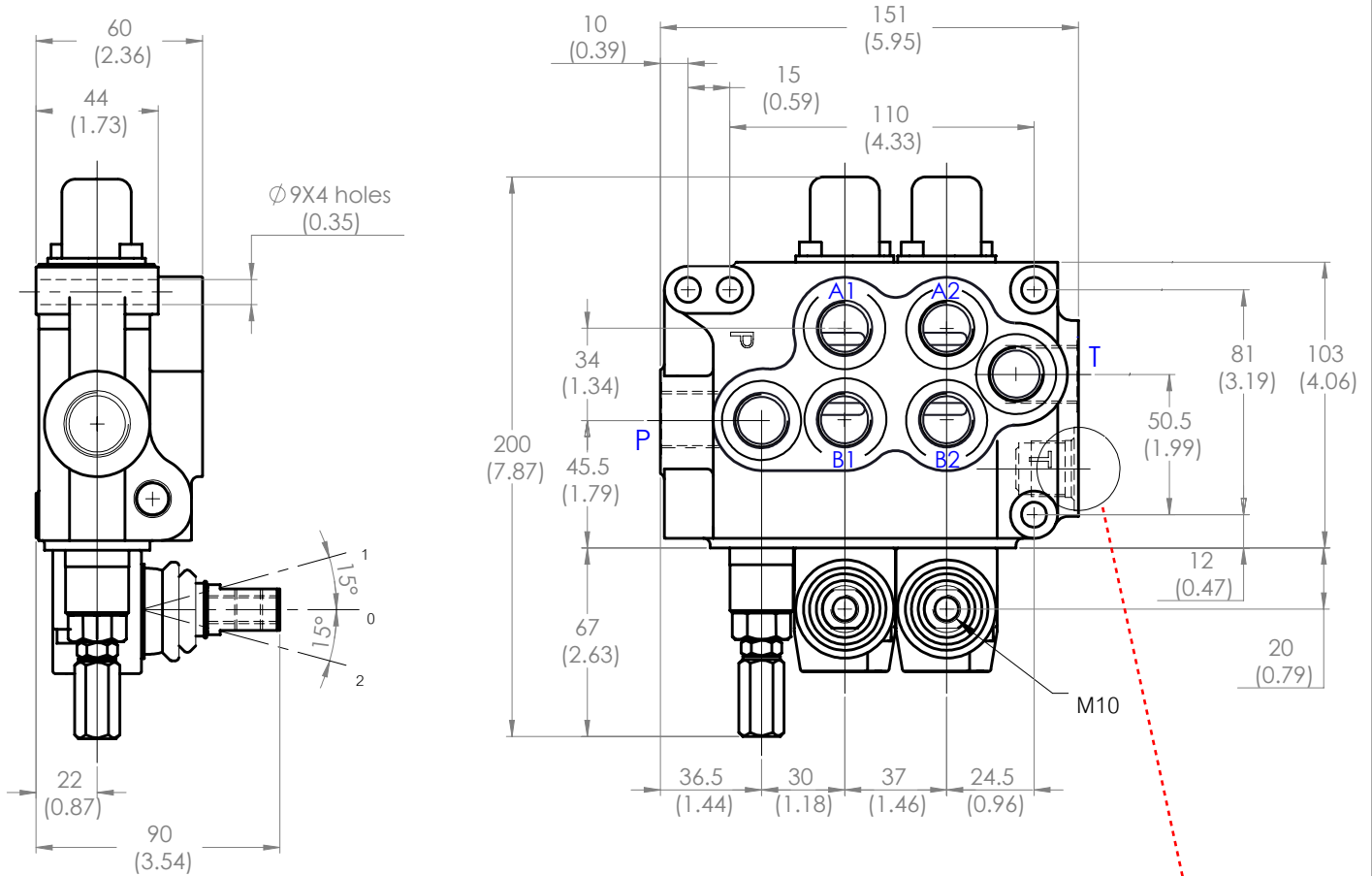


IFP MD20-Design "73" Manually Operated Monoblock Valve "Double Spool"

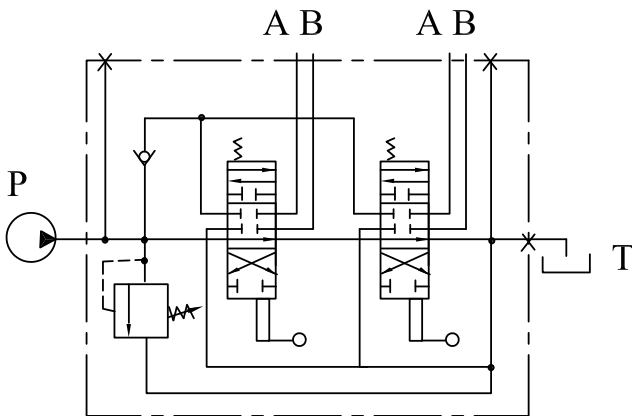


Dimensions: mm (Inches)

New compact Design



Weight 11.2 lbs (5.1 kgs)



Power Beyond Conversion:
 Insert 3/8 plug / Use Side tank port as power beyond port
Closer center Conversion:
 Insert 3/8 plug / Plug Side tank port

