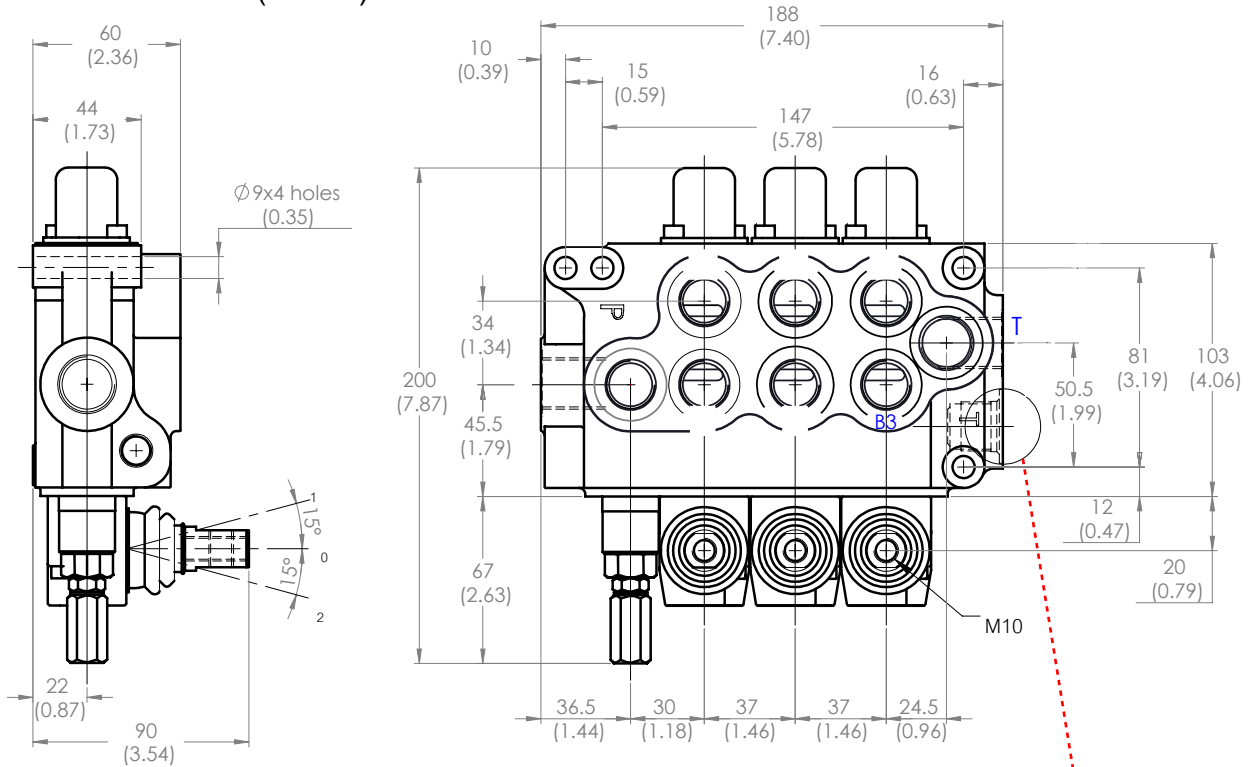


IFP MD20-Design "73" Manually Operated Monoblock Valve "Triple Spool"



Dimensions: mm(inches)



Weight 15.18 lbs (6.9 kgs)

Power Beyond Conversion:
 Insert 1/4 plug / Use Side tank port as power beyond port

Closer center Conversion:
 Insert 1/4 plug / Plug Side tank port

