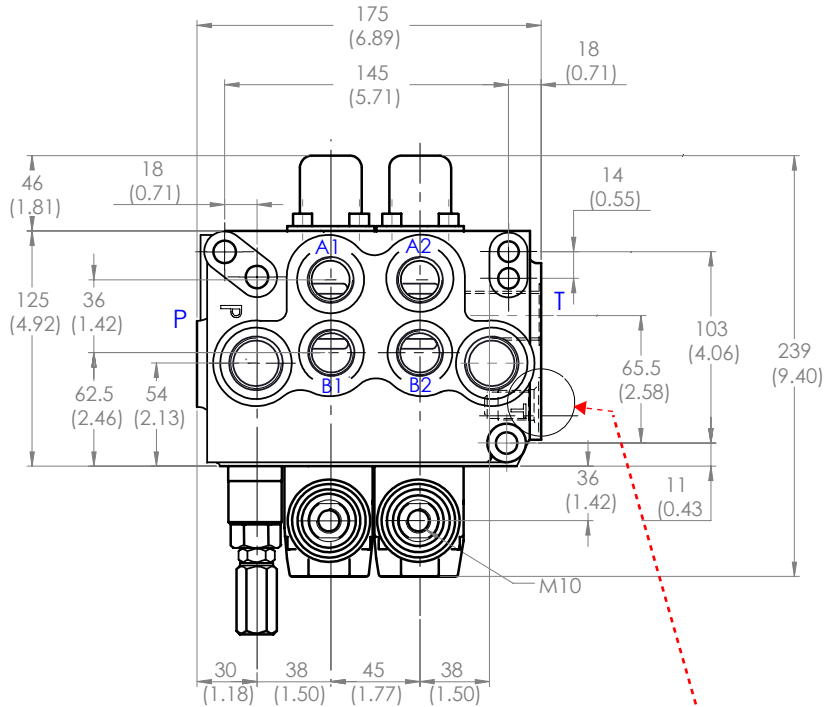
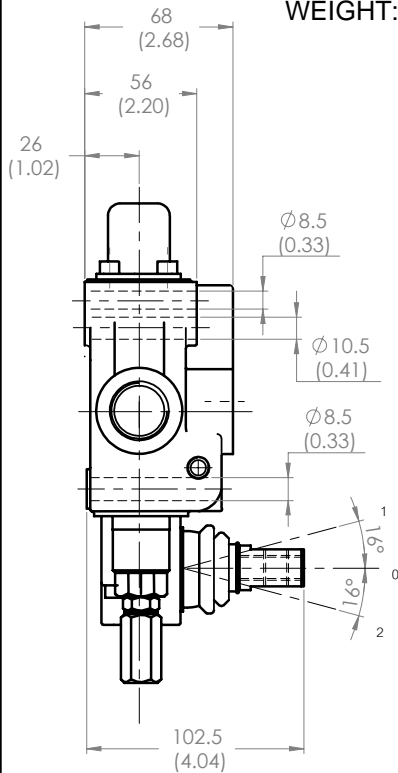


# MD50- Design "73" Double / Triple spool Manually operated monoblock valves



**MD50-2 DOUBLE SPOOL**  
WEIGHT: 18.7 lbs (8.5 kg)



**MD50-3 TRIPLE SPOOL**  
WEIGHT: 25.4 lbs (11.5 kg)

**Power Beyond Conversion:**  
Insert 3/8 plug / use Side tank port as power beyond

**Closed Center Conversion:**  
Insert 3/8 plug / Plug Side tank port

