

IFP DG03 SOLENOID OPERATED DIRECTIONAL CONTROL VALVE SIZE NG 6/CETOP 03

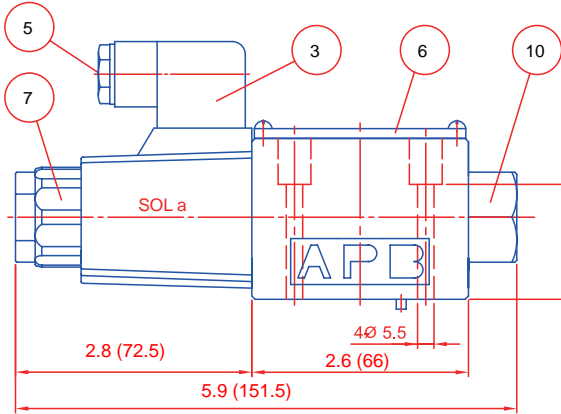
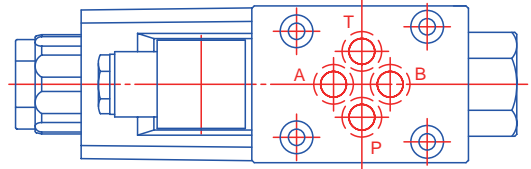
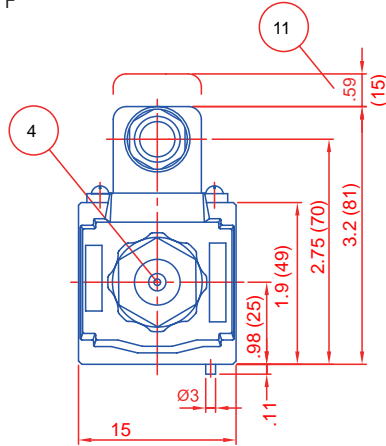
DIMENSIONS:

AC solenoid (DN Type)

■ DG03-*A AC-72-DN

*B

*F

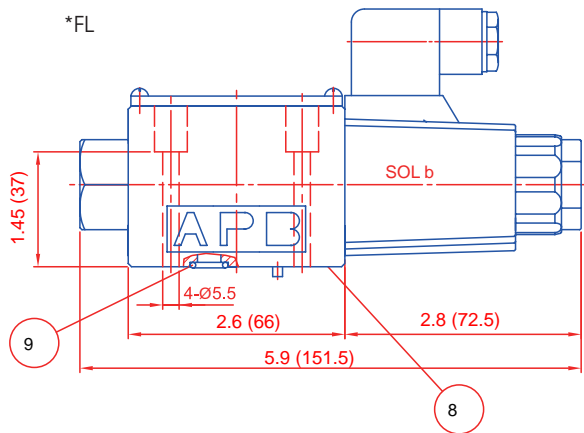


Dimensions: inches (mm)

■ DG03-*AL-AC-72-DN

*BL

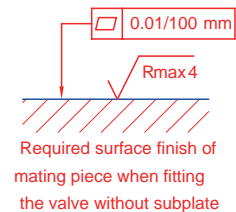
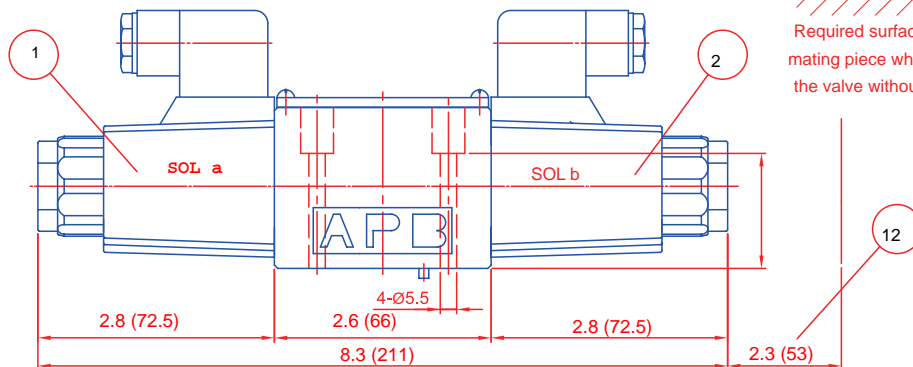
*FL



- 1: Solenoid a, color of plug: grey
- 2: Solenoid b, color of plug: black
- 3: Angled plug to DIN 43650
- 4: Push pin for manual operation
- 5: Lead wire take-out (Cable diameter $\varnothing 8 \sim 10$ mm)
- 6: Nameplate
- 7: Lock nut with torque in the range 4~6 N.m
- 8: Connections to DIN 24340 from A6 valve fixing screws
M5x45 DIN 912-1.9 tightening torque 5~7 Nm
- 9: O-ring P9 N90
- 10: Plug for valves with 1 solenoid
- 11: Space required to remove plug
- 12: Coil removable length

■ DG03-*C-AC*-72-DN

*N



Dimensions: inches (mm)