

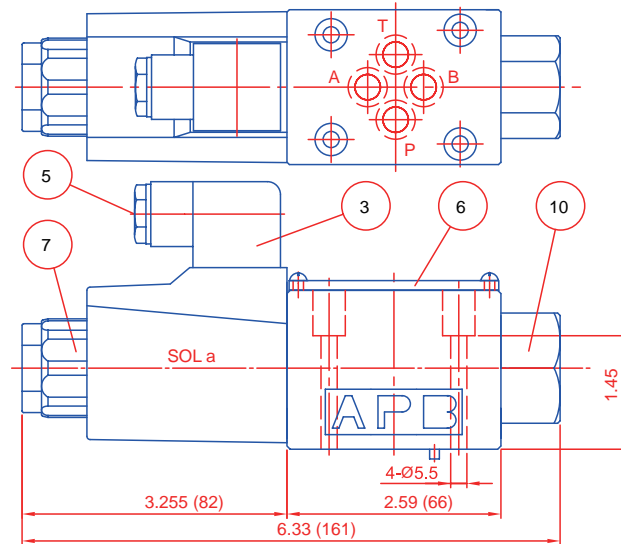
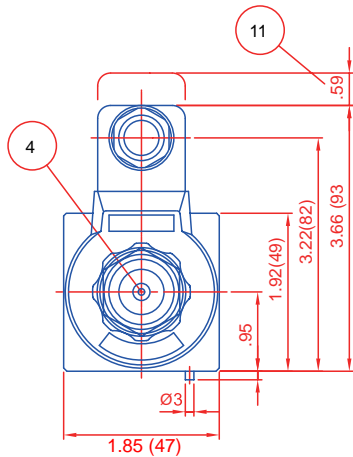
# IFP DG03 SOLENOID OPERATED DIRECTIONAL CONTROL VALVE SIZE 6 NG-6/CETOP-03

DIMENSIONS:  
 DC solenoid (DN Type)

■ DG03-\*DC\*-72DN

\*B

\*F

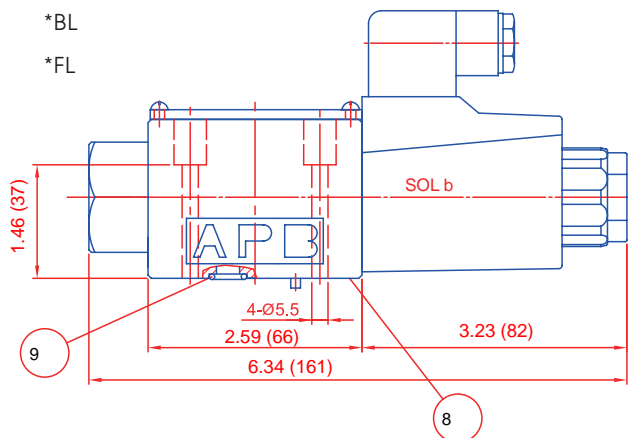


DIMENSIONS: Inches (mm)

■ DG03-\*AL-DC\*-72DN

\*BL

\*FL

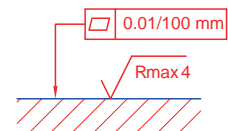
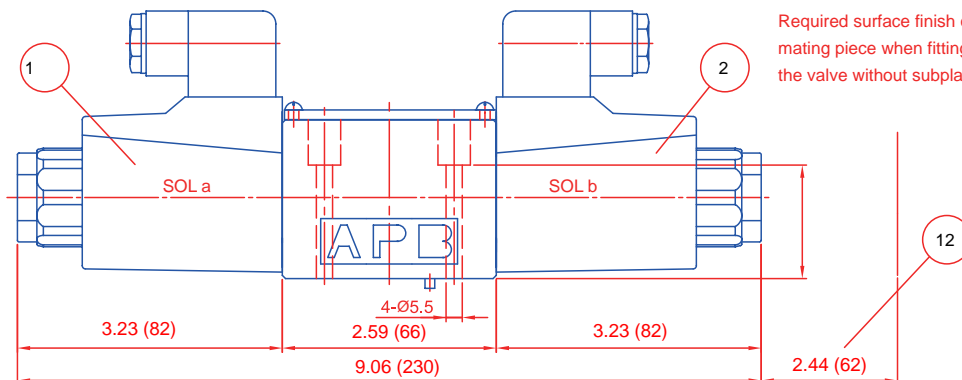


- 1: Solenoid a, color of plug: grey
- 2: Solenoid b, color of plug: black
- 3: Angled plug to DIN 43650
- 4: Push pin for manual operation
- 5: Lead wire take-out (Cable diameter  $\bar{r}6 \sim 9$ mm)
- 6: Nameplate
- 7: Lock nut with torque in the range 4~6 N.m
- 8: Connections to DIN 24340 from A6; valve fixing screws M5x45 DIN 912-10.9 tightening torque 5~7 Nm
- 9: O-ring P9 N90
- 10: Plug for valves with 1 solenoid
- 11: Space required to remove plug
- 12: Coil removable length

DIMENSIONS: Inches (mm)

■ DG03-\*C-DC\*-72DN

\*N



Required surface finish of mating piece when fitting the valve without subplate

Dimensions: inches (mm)