

IFP DG03 SOLENOID OPERATED DIRECTIONAL CONTROL VALVE SIZE NG-6/CETOP-03

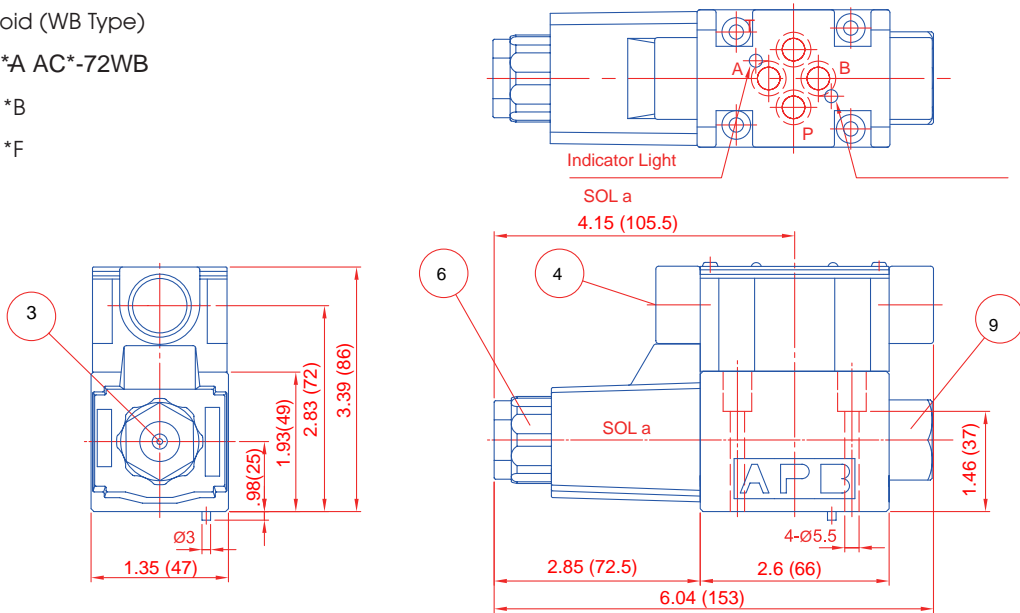
DIMENSIONS:

AC solenoid (WB Type)

■ DG03-*A AC*-72WB

*B

*F

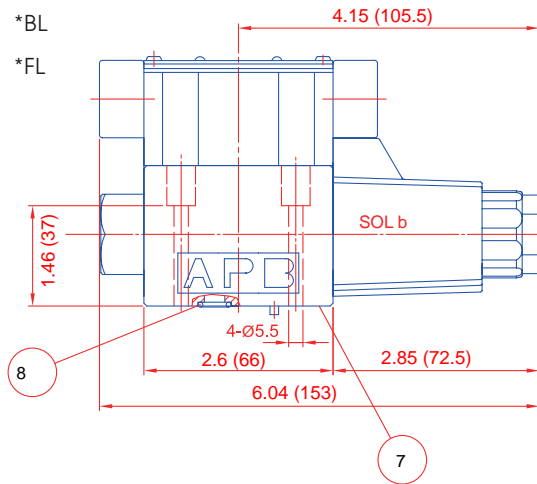


Dimensions: inches (mm)

■ DG03-*AL-AC*-72WB

*BL

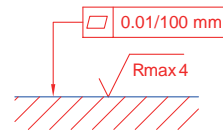
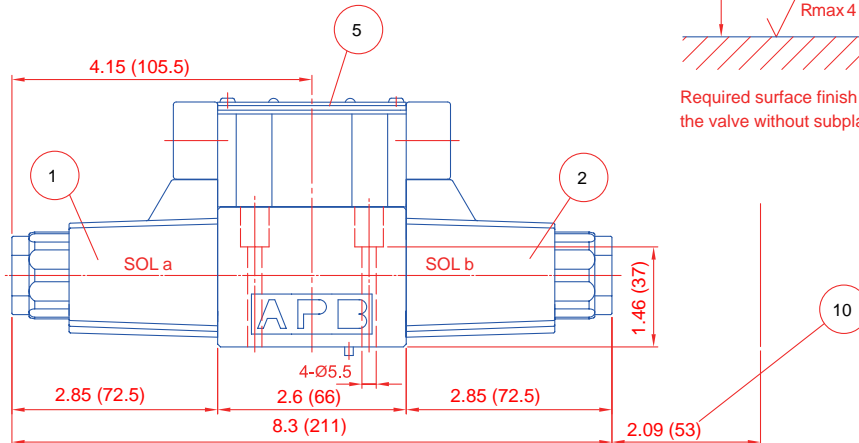
*FL



- 1: Solenoid a
- 2: Solenoid b
- 3: Push pin for manual operation
- 4: Lead wire take-out (G1/2")
- 5: Nameplate
- 6: Lock nut with torque in the range 4~6 N.m
- 7: Connections to DIN 24340 from A6; valve fixing screws M5x45 DIN 912-10.9 tightening torque 5~7 Nm
- 8: O-ring P9 N90
- 9: Plug for valves with 1 solenoid
- 10: Coil removable length

■ DG03-*C-AC*-72WB

*N



Required surface finish of mating piece when fitting the valve without subplate

Dimensions: inches (mm)