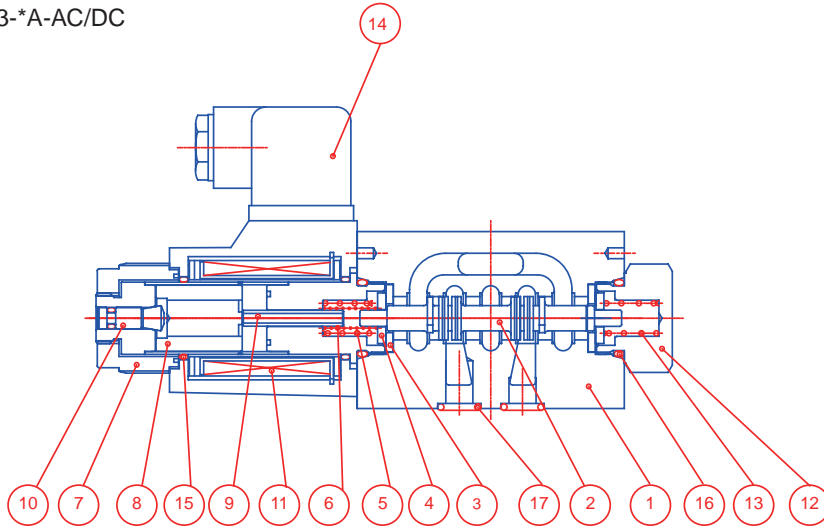


IFF DG03 SOLENOID OPERATED DIRECTIONAL CONTROL VALVE SIZE NG-6/CETOP-03

CROSS SECTION DRAWING:

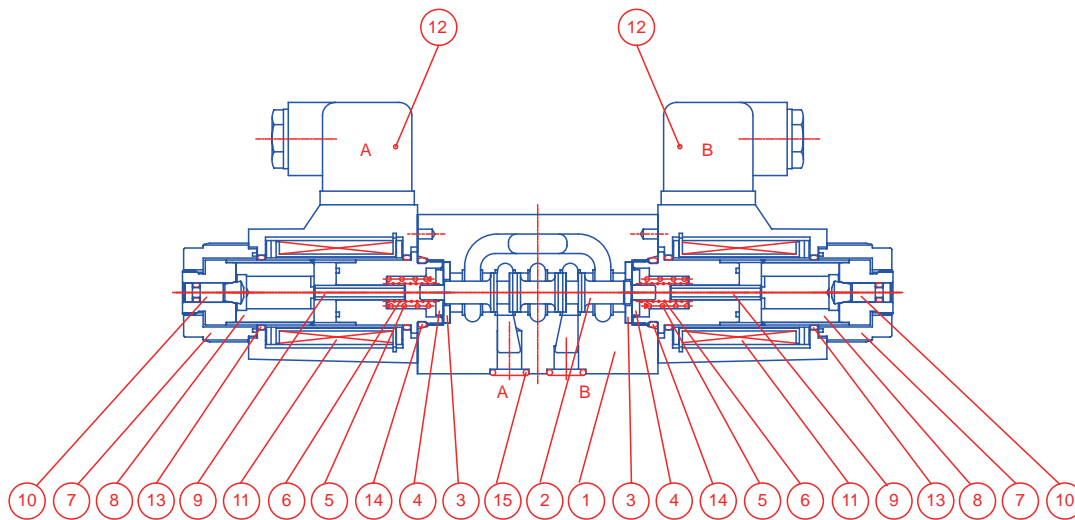
■ DG03-*A-AC/DC



NO.	parts name
1	body
2	spool
3	retainer A
4	retainer B
5	spring
6	spring
7	nut
8	plunger
9	push pin
10	pin
11	coil
12	plug
13	spring
14	connector
15	O-ring
16	O-ring
17	O-ring

NO.	PARTS NAME	PARTS NO.	QTY
15	O-ring	AS568-019 N70	2
16	O-ring	P18 N90	2
17	O-ring	P9 N90	4

■ DG03-*C-AC/DC



NO.	parts name
1	body
2	spool
3	retainer A
4	retainer B
5	spring
6	spring
7	nut
8	plunger
9	push pin
10	pin
11	coil
12	connector
13	O-ring
14	O-ring
15	O-ring

NO.	PARTS NAME	PARTS NO.	QTY
13	O-ring	AS568-019 N70	4
14	O-ring	P18 N90	2
15	O-ring	P9 N90	4