

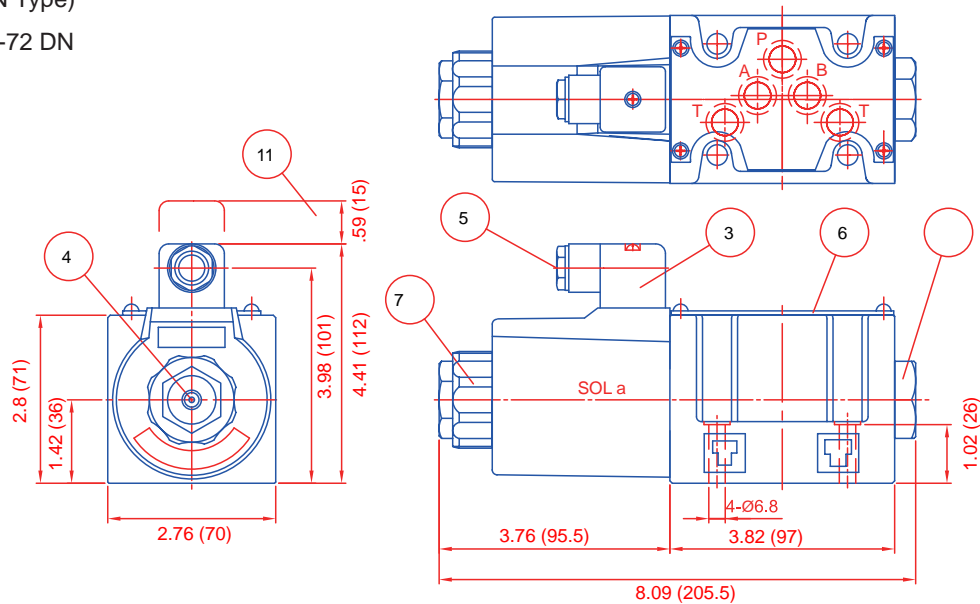
IFP DG05 SOLENOID OPERATED DIRECTIONAL CONTROL VALVE SIZE NG-10/CETOP-05

DIMENSIONS: DC solenoid (DN Type)

■ DG05-*A DC*-72 DN

*B

*F

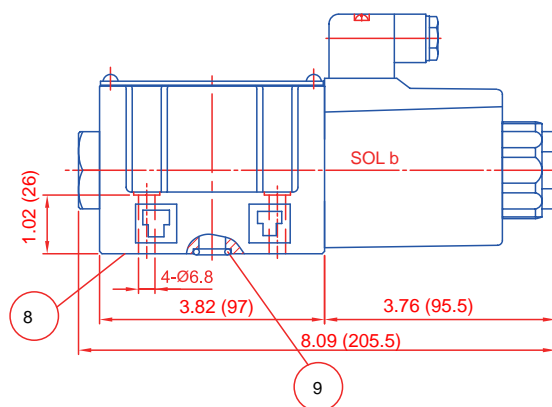


Dimensions: inches (mm)

■ DG05-*AL-DC*-72 DN

*B

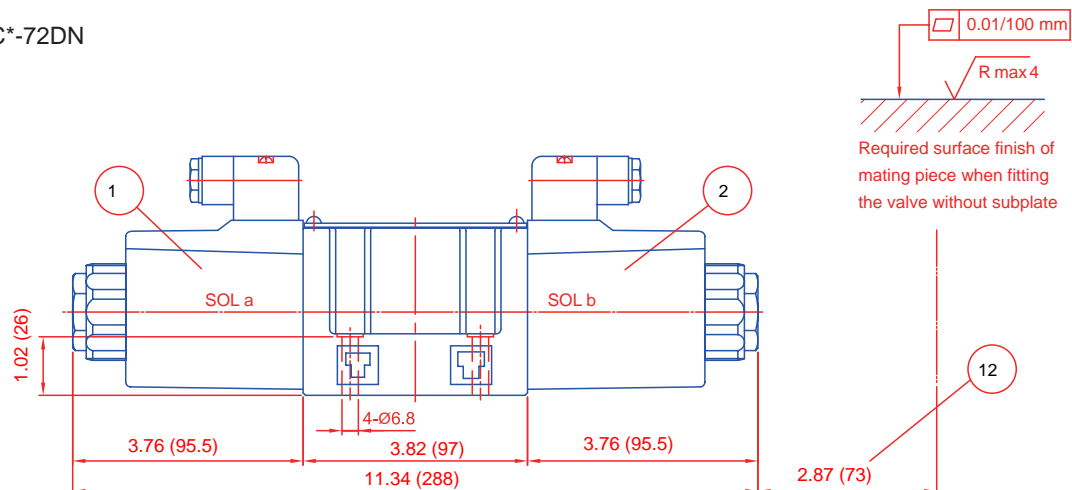
*F



- 1: Solenoid a, color of plug: grey
- 2: Solenoid b, color of plug: black
- 3: Angled plug to DIN 43650
- 4: Push pin for manual operation
- 5: Lead wire take-out (Cable diameter $\varnothing 8-10\text{mm}$)
- 6: Nameplate
- 7: Lock nut with torque: not exceeding 10.5 N.m
- 8: Connections to DiN 24340 from a10; valve fixing screws m6*35 DiN 912-10.9 tightening torque 12~15 Nm
- 9: O-ring aS568-014 (Hs90)
- 10: Plug for valves with 1 solenoid
- 11: Space required to remove plug
- 12: Coil removable length

■ DG05-*C-DC*-72DN

*N



Dimensions: inches (mm)